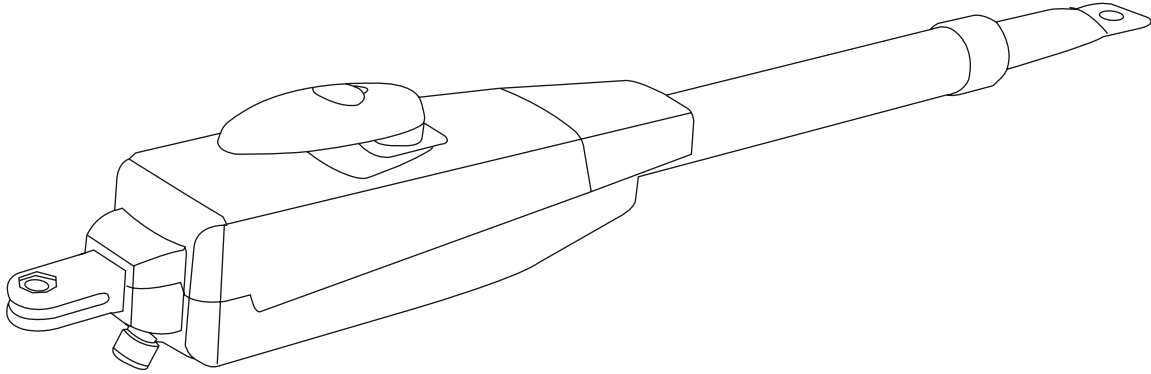


LiftMaster®

LA400EV



en

Automatic Gate Opener*

fr

Les ouvre-portails automatique

nl

Automatische hekaandrijvingen

de

Automatische Torantriebe

it

Automazioni per cancelli

es

Automatismos de puerta automáticos

pt

Automatismos para portões de garagem

*For GB (UK, NI) specific information on national regulations and requirements see English part of the manual.

Table of contents

NOTE: The original installation and operating instructions were compiled in Germany. Any other available language is a translation of the original Germany version.

1	General Safety Guidelines.....	1
2	Content.....	2
3	Gate Types.....	2
4	Gate Configuration.....	2
5	Gate Stops.....	2
6	Post Fixing Bracket.....	2
7	Gate Fitting.....	2
8	Release.....	2
9	Installing The Drive Arm.....	2
10	Wiring.....	3
11	Initial Operation.....	3
12	Maintenace Work.....	3
13	Disposal.....	3
14	Technical Data.....	3

1 General Safety Guidelines



This safety alert symbol means „Caution“ - failure to comply with such an instruction involves risk of personal injury or damage to property. Please read these warnings carefully.



This gate drive mechanism is designed and tested to offer appropriately safe service provided it is installed and operated in strict accordance with the following safety rules. Incorrect installation and/or failure to comply with the following instructions may result in serious personal injury or property damage.



When using tools and small parts to install or carry out repair work on a gate exercise caution and do not wear rings, watches or loose clothing.



It is important to make sure that the gate always runs smoothly. Gates which stick or jam must be repaired immediately. Employ a qualified technician to repair the gate, never attempt to repair it yourself.



Installation and wiring must be in compliance with your local building and electrical installation codes. Power cables must only be connected to a properly earthed supply.



Keep additional accessories away from children. Do not allow children to play with pushbuttons or remote controls. A gate can cause serious injuries as it closes.



Any entrapment possibility by the moving wing between wing & walls must be secured with safety edges or IRsensors.



Disconnect electric power to the system before making repairs or removing covers. A disconnecting device must be provided in the permanently-wired installation to guarantee all-pole disconnection by means of a switch (at least 3mm contact gap) or by a separate fuse.



Please remove any locks fitted to the gate in order to prevent damage to the gate.



After the installation a final test of the full function of the system and the full function of the safety devices must be done.



Make sure that people who install, maintain or operate the gate drive follow these instructions. Keep these instructions in a safe place so that you can refer to them quickly when you need to.



This drive cannot be used with a gate incorporating a wicket door unless the drive cannot be operated with the wicket door open.



The full protection against potential squeeze or entrapment must work direct when the drive arms are installed.

2 Content

- (1) Motor LA400EV (1x)
- (2) Postbracket (1x)
- (3) Key (2x)
- (4) Gate fixing bracket (1x)
- (5) Clevis pin (2x) and rings (4x)
- (6) Manual (1x)

BEFORE YOU BEGIN

The drive mechanism needs room to the side permitting correct installation of drive arms. Please make sure that this is available. Gates affected by high wind loads must also be protected by an (electric) lock.

There are many factors to consider when choosing the right drive mechanism. Assuming that a gate functions properly, „startup“ is the most difficult phase, once the gate is in motion, significantly less force is usually required to move it.

- **Gate size:** Gate size is a very important factor. Wind can brake or distort the gate, thereby increasing the amount of force needed to move it considerably.
- **Gate weight:** The weight of the gate is not as relevant as the size.
- **Effect of temperature:** Low outdoor temperatures can make initial startup more difficult (changes in the ground, etc.) or even prevent it.
- **Duty cycle:** 24 volt drives can run permanently.

INSTALLATION CHECKLIST - PREPARATIONS

Check the carton contents and read the instructions carefully. Make sure your gate equipment operates perfectly. The gate must run evenly and smoothly and must not stick at any point. Remember that the ground level may be several centimeters higher in winter. The gate must be stable and as free of backlash as possible in order to prevent any unwanted to and fro movement. The more smoothly the gate leaf runs, the more sensitive the force adjustment must be.

Note down any materials you still need and obtain them before starting to install. Heavy-duty plugs, bolts, gate stops, cables, distribution boxes, tools, etc.

3 Gate Types

The gate type determines the location where the drive mechanism is installed. If the gate stop is on the ground, the drive mechanism must also be installed at a height that is as low as possible so that it cannot twist the gate. Use only parts of the gate frame for fixing purposes.

TYPE A, B, C

For steel gates, the gate fitting must be attached to the main frame. If you are uncertain whether the available support is sufficiently stable, reinforce it.

TYPE D, E, F

In the case of wooden gates, the gate fitting must be through bolted. It is advisable to fit a plate from the outside so that the fixing brackets cannot become loose over time. Thin wooden gates must also be reinforced in order to withstand the stresses encountered (e.g. type F).

4 Gate Configuration

How far must the gate leaf open?

90 degrees or up to 115 degrees. An opening angle in excess of 115 degrees is possible to a limited extent but is not recommended. Reason: the drive mechanism always runs at the same speed. The further the gate has to be opened, the faster the gate leaf must travel. Movement becomes more erratic and this subjects the fittings and gate to extreme stresses.

For gates without limit switches: Non-identical opening angles cause one drive mechanism to reach its destination first, but continues to run, thereby forcing the gate up against the gate stop until the other motor eventually reaches its end position (see figure 4A-F).

Tip for professionals: The time taken to reach the limit stop can be controlled by deliberately selecting different A and B dimensions (left + right). However, this method of installing subjects the fittings to high stresses and can cause the gate to run erratically. It is recommended that only experienced gate installers adopt this method.

NOTE: If the gate opens towards a wall, there is a risk of entrapment. Should the distance between the wall and the open gate be less than 200 mm, this area must later be secured via a light barrier or contact strip.

5 Gate Stops

It is advised to use a fixed gate stop in both the open and close directions. Gate stops save wear and tear on the drive mechanism, gate and fittings. Operating a gate without fixed limit stops results in poor performance. It is often dangerous, leads to premature wear and voids your warranty!

6 Post Fixing Bracket

Choosing the correct location for the post fixing bracket has a decisive impact on the subsequent functioning of the system. It determines the distance between the motor's centre of motion and the gate's centre of motion and hence the opening angle. These dimensions are referred to as **dimension A** and **dimension B**. Do not underestimate the effect that these dimensions have on correct functioning and running. Try and achieve the best dimension for your opening angle, as precisely as possible and suitable for all circumstances. See Table (figure 5A) for dimensions A/B.

If the post is not wide enough, an extension piece must be fitted to it (figure 6B). If the post is too thick, cut out part of it to make it thinner (figure 6D) or offset the gate (figure 6C).

To obtain ideal dimensions, it may be necessary to shorten or lengthen the supplied hinge plate. In the case of gates that are to be custom made, if the gate hinges are fitted on the posts appropriately, it is possible to influence dimensions A and B. Before the final mounting dimensions are determined, you should always check whether or not there is any possibility that the corner of the drive mechanism will hit the post as the gate swings.

INSTALLATION: The drive mechanism exerts considerable force against the post. Usually, acceptable mounting dimensions are obtained if the supplied hinge plate is welded directly onto the post. In the case of thick stone or concrete posts, the hinge must be welded to a base plate and attached so that the plugs cannot work loose during operation. Heavy-duty plugs where a threaded rod is bonded into the masonry stress-free are more suitable for this purpose than steel or plastic straddling plugs. In the case of brickwork pillars, bolt on a relatively large steel plate that covers several bricks and then weld the hinge plate to it. An angle plate attached over the corner of the post is also a good means of fixing the operators.

7 Gate Fitting

The gate fitting must be installed so that it is horizontal relative to the post bracket. The distance between the gate bracket and post bracket is referred to as the „arm span“. When the gate is closed, the drive mechanism is 99% extended. When the gate is opened, the drive mechanism is 1% extended. Fully retracting or extending the plunger/spindle in operation (with gate) damages the drive mechanism and voids the warranty. It is absolutely imperative to comply with the required arm span under all circumstances! For steel gates, fixings should be welded on or through bolted. When through bolting the gate, use large washers or a plate on the other side. The drive mechanism exerts an extremely high force on this joint. Fixings must be through bolted for wooden gates. Wood deflects under load and the bolt will become loose. Due to movement caused by repeated loading, the wood deflects more and more until the gate no longer closes correctly and has to be repaired. Fit a reinforcing plate from the outside and one on the inside so that the wood cannot deflect and the joint cannot become loose. Thin wooden gates without a metal frame must also be reinforced in order to withstand continuous stresses (e.g. type F).

8 Release

The drive mechanism can be released. The gate can then be opened and operated manually (power failure). With a new drive mechanism, the release action may sometimes feel stiff/jerky. This is normal and has no effect on function.

Release: Insert the key in the cylinder lock and turn it 180 degrees. Then turn the release lever 180 degrees – done!

Engage: Turn the lever clockwise. As soon as the gate moves or the drive runs, the gear locks again. Use the lock to protect the lever against unauthorized release.

9 Installing The Drive Arm

Release the drive. Push the released drive onto the fittings and secure it by using the supplied bolts, nuts and rings. „If the centre or inner hole, on the hinge plate, is used to fix the post fixing bracket you MUST cut away the remaining section of the hinge plate before activating the arms. Failure to do so will result in breaking the fixing bracket“. Do not use a hammer when you mount the operator on the bracket.

10 Wiring

The connecting cable has 6 wires, is approx. 3 m long and is run in a curve to the control unit or to a watertight distribution box located above ground. A permanent connection is formed from the distributor box via an appropriate cable.

Connection: See control unit instructions.

Cable colours:

Brown/Green/White/Yellow=sensors

Blue/Red: 24 volt motor.

ACCESSORY TIP: Extension cable LA400-JB40

Contains:

(1) 12m cable with terminals

(1) Distribution box IP65

(2) Strain relief PG 13,5

(1) Mounting material

11 Initial Operation

Check functionality in a disengaged state with the hand on the gate. Initial electrical operation is only possible with a suitable control unit that can be purchased as an accessory. Ensure at all times that mechanical and electrical safety instructions applying to the given installation are complied with.

Should the force of the moving wing at its closing edge be higher than 400N , then additional safety facilities (light barrier, contact strip) must be used. Any safety facilities must comply with the requirements set out in EN60335-2-103.

12 Maintenance Work

The drive mechanism is maintenance free. Check that the gate fittings and the drive mechanism are securely fixed at regular intervals (monthly). Release the drive and check that the gate functions properly. Unless the gate runs smoothly it will not operate correctly with the drive mechanism. The drive cannot eliminate the problems caused by a gate that does not work satisfactorily.

NOTE: also see owners manual of Electronic Control

13 Disposal



Our electrical and electronic equipment may not be disposed of with household waste and must be disposed of after use properly in accordance with WEEE Directive EU: 2012/19/ EU; GB UK(NI): SI 2012 nr. 19 on waste electrical and electronic equipment in order to ensure that materials are recycled.

Collecting waste electrical equipment separately means environmentally-friendly disposal and is completely free of charge for the consumer.

WEEE reg. no. in Germany: DE66256568.

Any waste packaging left over with the end consumer must be collected separately from mixed waste, in accordance with the Directive. Packaging may not be disposed of with household waste, organic waste or in nature. Packaging material must be separated according to its material and disposed of in the recycling containers provided and in certain council recycling bins.

14 Technical Data

Motor Voltage	24 Volt
Current consumption	2 A
Power consumption	48 W
Max. gate width	4,0 m
Max. gate weight	250 kg
Protection Class	I - IP44
Force (nominal)	250 N
Travel Speed	variabel
Opening time 90°	14 sec.
Temperature	-20°C to + 55°C

Table de matières

REMARQUE: Le guide de montage et de fonctionnement original a été rédigé en allemand.
Toute autre langue disponible est une traduction de l'original allemand.

1	Consignes de sécurité générales	1
2	Etendue de la livraison	2
3	Types de Portails	2
4	Situation du portail	2
5	Butees	2
6	Ferrures de piliers	2
7	Ferrures de portail	2
8	Deverrouillage	2
9	Montage des bras d'entraînement	2
10	Cablage	3
11	Mise en service initiale	3
12	Wartungsarbeiten	3
13	Elimination	3
14	Caractéristiques techniques	3

1 Consignes de sécurité générales



Ces pictogrammes appellent à la prudence et ont valeur d'avertissement, car leur non-respect peut entraîner un risque de blessures corporelles ou de dommages matériels. Veuillez lire attentivement ces avertissements. Cet ouvre-portail est conçu et testé de manière à offrir un service raisonnablement sûr sous réserve d'être installé et utilisé strictement selon les règles de sécurité suivantes.



Le non-respect des règles de sécurité suivantes peut provoquer de sérieux dommages corporels ou matériels.



Une prudence particulière s'impose lors de l'utilisation d'outils et de petites pièces. Ne pas porter de bagues, de montres ou de vêtements amples lors des travaux de montage ou de réparation d'un portail.



Les câbles électriques doivent être posés conformément aux prescriptions locales relatives aux systèmes et installations électriques. Le câble électrique doit uniquement être raccordé à un réseau électrique correctement relié à la terre.



Lors du montage, un confinement entre la pièce entraînée et les pièces environnantes du bâtiment (par exemple une paroi) doit être considéré en raison du mouvement d'ouverture de la pièce entraînée.



Déposer toutes les serrures montées sur le portail afin d'éviter d'endommager ce dernier.



Après installation, il convient de vérifier l'ajustement correct du mécanisme ainsi que le bon fonctionnement de l'entraînement, du système de sécurité et du dispositif de déverrouillage d'urgence (le cas échéant).



Si le portail possède un portillon pour piétons, l'entraînement ne doit pas se déclencher ou continuer à fonctionner si le portillon n'est pas fermé correctement.



Il est important que le portail reste toujours parfaitement opérationnel. Tout portail qui bloque ou reste coincé doit être immédiatement réparé. Ne pas essayer de le réparer soi-même, mais faire appel à un spécialiste.



Tenir tous les accessoires supplémentaires hors de portée des enfants. Ne pas laisser les enfants utiliser les boutons ou les télécommandes. La fermeture d'un portail peut provoquer de sérieuses blessures.



Débranchez le courant de l'ouvre-porte de garage avant de commencer toute réparation ou d'ôter un couvercle. Dans l'installation fixe, il convient de prévoir un sectionneur afin de garantir une coupure sur tous les pôles au moyen d'un interrupteur (avec une course minimale d'ouverture des contacts de 3 mm) ou un fusible séparé.



S'assurer que les personnes qui assurent le montage ou la maintenance ainsi que celles qui utilisent l'ouvreportail respectent les présentes instructions. Conserver ces instructions de sorte à pouvoir les retrouver rapidement.



La protection absolue des zones de pincement et de cisaillement doit être garantie une fois le montage de l'entraînement sur le portail terminé.

2 Etendue de la livraison

- (1) Moteur LA400EV (1x)
- (2) Ferrures de pilier (1x)
- (3) Clés par ouvre-portail (2x)
- (4) Ferrures de portail (1x)
- (5) Clavettes (2x) et Bagues (4x)
- (6) Notice de montage (1x)

AVANT DE COMMENCER

L'ouvre-portail nécessite un dégagement latéral suffisant pour les mouvements des bras et pour le montage. S'assurer que l'on dispose de l'espace nécessaire. Les portails présentant une charge en torsion élevée doivent être dotés en supplément d'une serrure (électrique) à titre de sécurité!

Le choix du bon automatisme de portail dépend d'un grand nombre de facteurs. Partant d'un portail en bon état de fonctionnement, le „démarrage“ est l'opération la plus difficile. Une fois le portail en mouvement, la force nécessaire est en général nettement moins élevée.

- **Taille du portail:** la taille du portail est un facteur très important. Le vent peut le freiner ou le tordre et donc augmenter fortement la force nécessaire.
- **Poids du portail:** le facteur poids n'est qu'une grandeur purement indicative et susceptible de différer très fortement des besoins effectifs. Le fonctionnement est le facteur important.
- **Influence de la température:** des températures extérieures très basses peuvent freiner ou même empêcher le démarrage (modifications du sol, etc.).
- **Fréquence / durée d'utilisation:** Les ouvre-portails 24 Volt peuvent fonctionner en permanence.

LISTE DE CONTROLE - PREPARATIFS

Contrôler le contenu de l'emballage et lire attentivement les présentes instructions. S'assurer du parfait fonctionnement de votre système de portail. Le portail doit pivoter de manière régulière, sans à-coups, et ne coincer nulle part. Tenir compte du fait que le sol peut être rehaussé de quelques centimètres en hiver. Afin d'éviter tout mouvement pendulaire gênant, le portail doit être stable et présenter un jeu aussi faible que possible. Plus le battant pivote en douceur, et plus la force devra être réglée avec précision.

Faire une liste du matériel qui sera nécessaire et préparer ce matériel avant de commencer le montage. Ancrages à coller (chevilles solides), vis, butées, câbles, boîtes de dérivation, outils, etc.

3 Types de portails

Le type de portail est décisif pour l'emplacement de montage de l'entraînement. Si la butée du portail se trouve au sol, l'entraînement devra également être monté le plus bas possible afin d'éviter de tordre le portail. Utiliser exclusivement des éléments du cadre pour la fixation.

TYPES A, B, C

Dans le cas des portails en fer, la fixation de la ferrure du portail doit s'effectuer sur le cadre principal. En cas de doutes quant à la solidité du support existant, prévoir de le renforcer.

TYPES D, E, F

Dans le cas des portails en bois, la fixation de la ferrure doit traverser l'épaisseur du bois. Il est recommandé de prévoir une plaque sur la face extérieure, afin d'empêcher tout risque de desserrage de la fixation au fil du temps. Pour les portails de faible épaisseur, prévoir des renforts supplémentaires, sinon ils ne résisteraient pas à la sollicitation (p. ex. type F).

4 Situation du portail

Quel angle d'ouverture pour le portail ?

90 degrés ou 115 degrés. Un angle d'ouverture supérieur à 115 degrés est éventuellement possible, mais n'est pas recommandé. Motif: l'entraînement tourne toujours à la même vitesse. Plus l'angle d'ouverture du portail est important, et plus le battant doit se déplacer rapidement. Les mouvements deviennent saccadés, ce qui expose les ferrures et le portail à des sollicitations extrêmes.

S'applique aux ouvre-portails sans fins de course: En cas d'angles d'ouverture différents des deux battants, l'entraînement qui a atteint le premier sa position finale continue à „ronronner“ en butée (le moteur tourne) et à repousser le battant jusqu'à ce que l'autre moteur ait lui aussi atteint sa position de fin de course (voir figures 4A-F).

Conseil de professionnel: le choix délibéré de cotes A+ B (gauche + droite) différentes permet de contrôler le moment d'arrivée en butée finale. Toutefois, ce type de montage sollicite fortement les ferrures et peut entraîner un mouvement saccadé du portail. Cette méthode est réservée aux installateurs expérimentés.

REMARQUE: Si le portail s'ouvre contre une cloison ou un mur, il existe un risque de coincement potentiellement dangereux. Si la distance restante lorsque le portail est ouvert est inférieure à 200 mm, cette zone doit être ultérieurement protégée en plus au moyen d'une barrière photoélectrique ou d'une règlette de contacts.

5 Butées

Il est recommandé d'utiliser un arrêt fixe pour la porte OUVVERTE et la porte FERMÉE. Les butées permettent de ménager l'entraînement, le portail et les ferrures. L'utilisation du portail sans butées de fin de course définies entraîne un fonctionnement déficient, souvent dangereux, une usure prématurée ainsi que l'extinction de la garantie!

6 Ferrures de piliers

Le choix du bon emplacement de la ferrure de pilier est décisif pour le fonctionnement ultérieur de l'installation. Il détermine la distance entre le point de rotation du moteur et celui du portail, et donc l'angle d'ouverture. On parle de cote A et de cote B. Il ne faut pas sous-estimer l'importance de cette cote sur le bon fonctionnement et la qualité du mouvement. Il faut essayer de déterminer la cote optimale pour votre angle d'ouverture dans toutes les circonstances et de l'atteindre aussi précisément que possible. Voir tableau (figure 5A) pour les cotes A/B.

Si le pilier n'est pas assez large, il faut fabriquer une plaque adaptable (figure 6B). Si le pilier est trop épais, il faut réaliser un évidement (figure 6D) ou déplacer le portail (figure 6C).

Pour atteindre des cotes optimales, il peut s'avérer nécessaire de raccourcir ou de rallonger la plaque de charnière fournie. Lors de la construction d'un nouveau portail, il est possible de jouer sur les cotes A et B lorsque les gonds du portail sont montés de manière correspondante sur les piliers. Avant de fixer définitivement les cotes de montage, vérifier systématiquement que l'entraînement ne cogne pas contre le pilier lors du basculement.

MONTAGE: les forces exercées par l'entraînement sur le pilier sont très élevées. En général, on peut déjà atteindre des cotes de montage acceptables en soudant directement sur le pilier la plaque de charnière fournie. Dans le cas de piliers épais en pierre ou en béton, il faut souder la pièce de charnière sur une plaque-support et la fixer de sorte que les chevilles ne risquent pas de se détacher lors du fonctionnement. A cet effet, il vaut mieux préférer aux chevilles en acier ou en plastique des systèmes d'ancrage composite à coller, avec une tige filetée collée sans précontrainte dans la maçonnerie. Dans le cas des piliers en maçonnerie, il conviendrait de visser une grande plaque en acier débordant sur plusieurs pierres et sur laquelle la plaque de charnière peut ensuite être soudée. Une autre bonne solution consiste à utiliser une plaque d'équerre fixée sur le pilier.

7 Ferrures de portail

La ferrure de portail doit être montée horizontalement par rapport à la ferrure de pilier. La distance entre les ferrures est appelée cote de fixation. En position fermée du portail, l'entraînement est sorti à 99 %. En position ouverte du portail, l'entraînement est sorti à 1 %. Une RENTREE ou SORTIE complète du piston en service (avec le portail) endommage l'entraînement et conduit à l'extinction de la garantie ! Respecter systématiquement la cote de fixation ! Cotes, voir fig. 6A. Dans le cas des portails en fer, les fixations doivent être soudées ou montées avec des vis traversant l'épaisseur du portail. Dans ce cas, utiliser de grosses rondelles ou une plaque au dos du portail. Dans le cas des portails en bois, la fixation doit traverser l'épaisseur du bois. Il est fortement recommandé de prévoir une plaque sur la face extérieure, afin d'empêcher tout risque de desserrage de la fixation. Pour les portails en bois ou les cadres métalliques de faible épaisseur, prévoir des renforts, sinon ils ne résisteraient pas à la sollicitation (p. ex. type F).

8 Déverrouillage

Le mécanisme d'entraînement peut être déverrouillé. Le portail peut ensuite être ouvert et actionné à la main (en cas de coupure de courant). Dans le cas des ouvre-portails neufs, le déverrouillage est parfois jugé difficile à manoeuvrer / source d'à-coups. Ceci est normal et n'a aucun effet sur la fonction !

Déverrouillage: Engager la clé et la tourner de 180°. Tourner ensuite le levier de déverrouillage de 180°. Fin des opérations.

Verrouillage: Tourner le levier vers l'arrière. Dès que le portail se déplace ou que l'entraînement tourne, le mécanisme se reverrouille. La serrure permet ensuite d'empêcher tout déverrouillage intempestif.

9 Montage des bras d'entraînement

Déverrouiller l'entraînement. Repousser l'entraînement déverrouillé sur les ferrures et le bloquer à l'aide des goujons et des bagues fournis (figure 7). Si vous utilisez le trou central ou intérieur de la plaque-charnière pour monter la ferrure de fixation du montant, vous DEVEZ couper la partie restante de la plaque-charnière avant la mise en service du bras. La non-réalisation de cette opération provoquera l'endommagement de la ferrure de fixation. N'utilisez pas de marteau lors du montage de l'actionneur sur la plaque-charnière.

10 Cablage

Le câble de raccordement comporte 6 pôles et mesure env. 3 m de long. Il sera posé en formant un coude vers la commande ou vers une boîte de dérivation étanche montée en saillie. La pose à demeure s'effectue depuis la boîte de dérivation au moyen du câble autorisé.

Raccordement: voir instructions de la commande.

Couleurs des câbles:

marron/vert/blanc/jaune = capteurs

bleu/rouge : moteur 24 Volt.

ACCESSOIRE RECOMMANDE: câble de rallonge LA400-JB40

comprend:

(1) 12 m de câble avec bornes

(1) Boîte de dérivation IP65

(2) Décharges de traction PG 13,5

(1) Matériel de montage

11 Mise en service initiale

L'ouvre-portail étant déverrouillé, contrôler à la main le fonctionnement du portail. Une mise en service électrique n'est possible qu'en liaison avec une commande appropriée que vous pouvez acheter en tant qu'accessoire. Veiller systématiquement à respecter les prescriptions de sécurité mécaniques et électriques concernant l'installation.

Si la force du portail en mouvement est supérieure à 400 N au niveau de l'arête de fermeture, il est alors nécessaire d'utiliser des dispositifs de sécurité supplémentaires (barrière photoélectrique, réglette de contacts).

12 Travaux de maintenance

Le mécanisme de l'ouvre-portail ne nécessite pas d'entretien. Contrôler régulièrement (une fois par mois) la bonne fixation des ferrures du portail et de l'ouvre-portail. Déverrouiller l'ouvre-portail et tester le fonctionnement du portail. Seul un portail manoeuvrant en douceur pourra fonctionner correctement en liaison avec ouvre-portail. Le montage d'un ouvre-portail n'est pas une solution pour remédier à un portail fonctionnant mal.

REMARQUE: se reporter aussi à la notice de la commande.

13 Elimination



Nos appareils électriques et électroniques ne doivent pas être jetés avec les déchets ménagers et doivent être correctement éliminés après utilisation conformément à la directive DEEE 2012/19/UE, sur les déchets d'appareils électriques et électroniques afin de garantir le recyclage des matériaux. La collecte séparée des déchets d'appareils électriques, entièrement gratuite pour le consommateur, permet une élimination dans le respect de l'environnement. N° d'enreg. DEEE en Allemagne : DE66256568.

Les emballages générés comme déchets par les consommateurs finaux privés doivent être envoyés à la collecte séparée des déchets mélangés, conformément à la directive. Les emballages ne doivent pas être jetés dans les déchets résiduels, organiques ou même dans la nature. En fonction des matériaux, les matériaux d'emballage doivent être éliminés séparément et dans des conteneurs de recyclage prévus à cet effet, et dans des bacs de recyclage pour certaines municipalités.

14 Caractéristiques techniques

Tension moteur	24 Volt
Consommation	2 A
Puissance absorbée	48 W
Largeur maxi du portail	4,0 m
Poids maxi du portail	250 kg
Classe	I - IP44
Force (nominale)	250 N
Vitesse de marche	variabel
Temps d'ouverture 90°	14 Sek.
Température de fonctionnement	-20°C à + 55°C

Opmerking: De originele montage- en bedieningsinstructies zijn in het Duits opgesteld. Bij elke andere beschikbare taal gaat het om een vertaling van de originele Duitse versie.

1	Algemene veiligheidsrichtlijnen	1
2	Geleverd pakket	2
3	Typen hekken	2
4	Heksituatie.....	2
5	Aanslagen.....	2
6	Pijlerbeslag.....	2
7	Hekbeslag.....	2
8	Ontgrendeling.....	2
9	Montage van de aandrijfarmen.....	2
10	Bedrading	3
11	Eerste ingebruikneming.....	3
12	Onderhoudswerkzaamheden	3
13	Verwijdering.....	3
14	Technische gegevens.....	3

1 Algemene veiligheidsrichtlijnen



Deze waarschuwingstekens betekenen "voorzichtig!" en zijn een aansporing om goed op te letten, omdat het veronachtzamen ervan lichamelijk letsel of materiële schade teweeg kan brengen. Lees deze instructies a.u.b. zorgvuldig. Deze hekaandrijving is zo geconstrueerd en gecontroleerd dat deze tijdens installatie en gebruik bij nauwkeurige naleving van de betreffende veiligheidsinstructies voldoende veilig is.



Het niet opvolgen van de onderstaande veiligheidsinstructies kan ernstig lichamelijk letsel of materiële schade veroorzaken.



Ga bij de omgang met gereedschap en kleine onderdelen voorzichtig te werk en draag geen ringen, horloges of loshangende kleding, als u bezig bent met installatie- of reparatiewerkzaamheden aan een hek.



Het is van belang dat het hek altijd soepel kan bewegen. Hekken die blijven steken of klemmen, dienen onmiddellijk te worden gerepareerd. Probeer niet het hek zelf te repareren. Roep daarvoor de hulp in van een vakman.



Elektrische leidingen moeten worden aangelegd in overeenstemming met lokale bouwvoorschriften en reglementen met betrekking tot elektrische installaties. De elektrische kabel mag alleen worden aangesloten op een correct geaard net.



Houd extra accessoires uit de buurt van kinderen. Sta kinderen niet toe drukschakelaars en afstandsbedieningen te bedienen. Een zich sluitend hek kan zwaar letsel veroorzaken.



Bij de montage moet rekening worden gehouden met de actieradius van de draaiende vleugel in relatie tot omringende objecten (bijvoorbeeld de muur van een gebouw) en het daarmee verbonden risico van beknelling.



Schakel de electriciteit naar de garagedeur-opener uit voordat u reparaties uitvoert of beschermingen verwijdert. In de uiteindelijke configuratie van de installatie is een scheidingsinrichting nodig, zodat alle polen kunnen worden uitgeschakeld met behulp van een schakelaar (contactopening minstens 3 mm) of een aparte zekering.



Verwijder alle aan het hek aangebrachte sloten om schade aan het hek te voorkomen.



Zie er op toe dat deze aanwijzingen worden opgevolgd door personen die de aandrijving monteren, onderhouden of bedienen. Bewaar de gebruiksaanwijzing op een plaats waar u er snel bij kunt.



Na de installatie dient te worden gecontroleerd of het mechanisme juist is ingesteld en of de aandrijving, het veiligheidssysteem en de noodontgrendeling, indien aanwezig, goed functioneren.



Na het monteren van de hekaandrijving mogen er geen plekken zijn die gevaar van beknelling of verwonding opleveren voor levende wezens.



Als zich een voetgangspoortje in het hek bevindt, mag de aandrijving niet starten of doorlopen wanneer dit poortje niet correct is gesloten.



2 Geleverd pakket

- (1) Motor LA400EV (1x)
- (2) Pijlerbeslag (1x)
- (3) Sleutel per motor (2x)
- (4) Hekbeslag (1x)
- (5) Pennen (2x) & ringen (4x)
- (6) Montage-instructie (1x)

ALVORENS TE BEGINNEN

Voor de aandrijving is er aan de zijkant ruimte nodig voor de armen en de uit te voeren montagewerkzaamheden. Zorg dat deze ruimte beschikbaar is. Hekken met een sterke windbelasting dienen aanvullend met een (elektrisch) slot te worden beveiligd!

Er zijn veel factoren die bepalend zijn voor de keuze van de juiste aandrijving. Als we uitgaan van een goed functionerend hek, vormt het „in beweging zetten“ de moeilijkste fase. Als het hek eenmaal in beweging is, is het benodigde vermogen meestal aanzienlijk geringer.

- **Hekgrootte:** De afmetingen van het hek vormen een zeer belangrijke factor. Wind kan het hek afremmen of spanningen veroorzaken en het benodigde vermogen sterk verhogen.
- **Hekgewicht:** De vermelding van het hekgewicht betreft slechts een globale aanduiding, die zeer sterk van het werkelijke verbruik kan afwijken. Waar het om gaat is de manier van functioneren.
- **Inval van de temperatuur:** Lage buitentemperaturen kunnen het in beweging zetten van het hek bemoeilijken (veranderingen van de ondergrond etc.) of verhinderen.
- **Werkfrequentie/Inschakelduur:** 24-volt-aandrijvingen kunnen permanent draaien.

CONTROLELIJST INSTALLATIE – VOORBEREIDINGEN

Controleer de inhoud van de verpakking en lees de gebruiksaanwijzing aandachtig door. Zie erop toe dat uw hekinstallatie foutloos functioneert. Het hek moet gelijkmatig en stootvrij lopen, het mag nergens blijven hangen. Denk eraan dat de ondergrond in de winter enkele centimeters omhoog kan komen. Een stabiel hek met zo weinig mogelijk speling is van belang om storende slingerbewegingen te voorkomen. Hoe lichter de vleugel loopt, hoe gevoeliger de kracht kan worden ingesteld.

Schrijf op, welk materiaal u nog nodig hebt en zorg ervoor dat alles aanwezig is als u met de montage begint. Kleefanker (stabiele pluggen), schroeven, aanslagen, kabels, verdeel dozen, gereedschap etc.

3 Typen hekken

Het type hek is bepalend voor de plaats waar de aandrijving wordt gemonteerd. Als de aanslag van het hek zich op de bodem bevindt, dient de aandrijving eveneens zo laag mogelijk worden gemonteerd, zodat hij het hek niet kan verdraaien. Gebruik alleen delen van het lijstwerk voor de bevestiging.

TYPE A, B, C

Bij stalen hekken dient het hekbeslag aan het hoofdlijstwerk te worden bevestigd. Als het niet duidelijk is of de beschikbare drager voldoende stabiel is, versterk deze dan.

TYPE D, E, F

Bij houten hekken moet het hekbeslag worden doorgeschroefd. Het is raadzaam om aan de buitenkant een plaat te monteren, zodat de bevestiging op termijn niet los kan raken. Dunne houten hekken moeten eveneens worden verstevigd, omdat ze anders niet bestand zijn tegen de belasting (bijv. type F).

4 Heksituatie

Hoe ver moet de vleugel worden geopend?

90 graden, evt. tot (maximaal) 115 graden. Een openingshoek van meer dan 115 graden is onder sommige omstandigheden mogelijk, maar niet aan te raden! Dit omdat de aandrijving een constante snelheid heeft. Hoe verder het hek moet worden geopend, hoe sneller de vleugel moet bewegen. De bewegingen worden ongelijkmatiger, beslagen en hek worden daardoor extreem belast.

Geldt voor aandrijvingen zonder eindschakelaars: Het naast elkaar bestaan van verschillende openingshoeken leidt ertoe dat de aandrijving die het eerst zijn doel bereikt bij de aanslag een brommend geluid produceert (lopende motor) en tegen het hek drukt tot de andere motor eveneens zijn eindpositie heeft bereikt (**afbeelding 4A-F**).

Tip voor professionals: Door het gericht instellen van verschillende A+B afmetingen (links + rechts) kunt u de tijd van het bereiken van de eindaanslag beïnvloeden. De beslagen worden echter bij deze wijze van montage sterk belast en het hek kan met schokkende bewegingen gaan lopen. Deze methode is uitsluitend aan te bevelen voor de ervaren hekkenbouwer.

OPMERKING: Opent het hek naar een muur of wand, bestaat er afklemgevaar. Is de resterende afstand bij geopend hek kleiner dan 200 mm, moet dit bereik later met behulp van een fotocel of een contactlijst extra worden beveiligd.

5 Aanslagen

Een draaiend hek heeft een vaste aanslag nodig (in Hek open en hek dicht). Aanslagen ontzien de aandrijving, het hek en de beslagen. Als er geen vaste eindaanslagen worden gebruikt, beweegt het hek niet soepel, kunnen er gevaarlijke situaties ontstaan, ontstaat voortijdige slijtage en verliest de garantie zijn geldigheid!

6 Pijlerbeslag

Het op de juiste plaats aanbrengen van het pijlerbeslag is bepalend voor het goed functioneren van de installatie. De afstand tussen het draaipunt van de motor en het draaipunt van het hek wordt erdoor bepaald, en daarmee tevens de openingshoek. Men spreekt van **afmeting A** en **afmeting B**. Onderschat niet de invloed van deze afmetingen op het soepel bewegen van het hek. Probeer onder alle omstandigheden en zo nauwkeurig mogelijk de ideale afmeting voor uw openingshoek in te stellen. Zie de tabel (**afbeelding 5A**) voor de afmetingen **A/B**.

Als de pijler niet breed genoeg is, moet een adapterplaat worden vervaardigd (**afbeelding 6B**). Als de pijler te dik is, moet deze gedeeltelijk worden verwijderd (**afbeelding 6D**), of moet het hek worden verplaatst (**afbeelding 6C**).

Om optimale afmetingen te bereiken, kan het nodig zijn de meegeleverde scharnierplaat in te korten of te verlengen. Bij nieuw te vervaardigen hekken kunnen de afmetingen A en B worden beïnvloed door de hengsels van het hek op een bepaalde manier aan de pijlers te monteren. Voordat de montageafmetingen definitief worden vastgelegd, dient altijd te worden gecontroleerd of de aandrijving bij het draaien geen contact maakt met de pijler.

MONTAGE: De krachten waarmee de aandrijving tegen de pijler steunt, zijn zeer groot. Meestal ontstaan er al acceptabele montageafmetingen wanneer de meegeleverde scharnierplaat rechtstreeks op de pijler wordt gelast. Bij dikke stenen of betonnen zuilen moet het scharnierdeel op een dragerplaat worden gelast en zo worden bevestigd dat de pluggen tijdens het gebruik niet los kunnen raken. Hiervoor zijn kleef-duwankers waarbij een borgpen spanningsvrij in het metselwerk wordt ingebracht, beter geschikt dan stalen of kunststof keilbouten. Bij gemetselde pijlers dient een tamelijk grote, meerdere stenen bedekkende staalplaat te worden vastgeschroefd, waarop vervolgens de scharnierplaat kan worden gelast. Voor de bevestiging is ook een om de hoek van de pijler bevestigde hoekplaat geschikt.

7 Hekbeslag

Het hekbeslag moet waterpas op het pijlerbeslag worden gemonteerd. De afstand tussen de beslagen wordt inspanmaat genoemd. In gesloten toestand van het hek is de aandrijving voor 99% uitgeschoven. In geopende toestand van het hek is de aandrijving voor 1% uitgeschoven. Compleet IN- of UITschuiven van de zuiger tijdens bedrijf (met hek) beschadigt de aandrijving en hierdoor komt de garantie te vervallen! Houd onder alle omstandigheden de inspanmaat aan! Afmetingen, zie **afbeelding 6A**. Bij stalen hekken moeten de bevestigingen worden gelast of doorgeschroefd. Bij doorschroeven moeten aan de achterzijde grote ringen of een plaat worden gebruikt. Bij houten hekken moet de bevestiging worden doorgeschroefd. Een plaat van de buitenzijde wordt nadrukkelijk geadviseerd, zodat de bevestiging niet los kan raken. Dunne houten hekken zonder metalen frame moeten extra worden versterkt, omdat ze een continubelasting niet kunnen doorstaan (bijv. type F).

8 Ontgrendeling

Het aandrijfmechanisme kan worden ontgrendeld. Het hek kan daarna met de hand worden geopend en bediend (stroomuitval). Bij nieuwe aandrijvingen wordt de ontgrendeling soms als stroef/stotend ervaren. Dit is normaal en heeft geen effect op het functioneren!

Ontgrendelen: Steek de cilindersleutel in het slot en draai deze 180 graden. Vervolgens draait u de ontgrendelingshendel eveneens 180 graden. Klaar.

Vergrendelen: Draai de hendel naar achteren. Zodra het hek beweegt of de aandrijving loopt, wordt het aandrijfmechanisme weer vergrendeld. Met behulp van het slot kan de hendel nu tegen ontgrendeling door onbevoegden worden beveiligd.

9 Montage van de aandrijfarmen

Ontgrendel de aandrijving. Schuif de ontgrendelde aandrijving op de beslagen en zet deze vast met de meegeleverde bouten en ringen (**afbeelding 7**). Wanneer het middelste of binnenste gat van de scharnierplaat wordt gebruikt om de stijbevestigingsbeugel te bevestigen, MOET u het resterende gedeelte van de scharnierplaat verwijderen voordat u de arm inschakelt. Als u dat niet doet, wordt de bevestigingsbeugel beschadigd. Gebruik geen hamer om de aandrijving op de scharnierplaat te bevestigen.

10 Bedrading

De aansluitkabel is 6-polig, ca. 3 m lang en wordt in een bocht naar de besturing of naar een bovengrondse waterdichte verdeeldoos geleid. Vanuit de verdeeldoos vindt via een goedgekeurde kabel de vaste aansluiting plaats.

Aansluiting: Zie handleiding besturing.

Kabelkleuren:

bruin/groen/wit/geel=sensoren

blauw/rood: 24-volt-motor.

TOEBEHOREN TIP: Verlengsnoer LA400-JB40

Omvat:

(1) 12 m kabel met klemmen

(1) Verdeeldoos IP65

(2) Trekontlastingen PG 13,5

(1) Montagemateriaal

11 Eerste ingebruikneming

Controleer de functie bij ontgrendelde toestand met de hand aan het hek. Een elektrische ingebruikneming is alleen mogelijk met een geschikte besturing, die als toebehoren te koop is. Let er altijd op of er wordt voldaan aan de mechanische en elektrische voorschriften die van toepassing zijn op de installatie.

Is de kracht van de bewegende vleugel aan de sluitkant hoger dan 400 N moeten extra beveiligingsvoorzieningen (fotocel, contactlijst) worden gebruikt. Beveiligingsvoorzieningen moeten voldoen aan de eisen EN60335-2-103.

12 Onderhoudswerkzaamheden

Het mechanisme van de aandrijving is onderhoudsvrij. Controleer in regelmatige intervallen (maandelijks) de correcte bevestiging van het beslag van het hek en de aandrijving. Ontgrendel de aandrijving en test de functie van het hek. Alleen een soepel bewegend hek zal ook goed functioneren met een aandrijving. Een aandrijving is geen vervanging voor een slecht functionerend hek.

OPMERKING: zie ook de handleiding van de besturing

13 Verwijdering



Onze elektrische en elektronische apparaten mogen niet met het huishoudelijk afval worden weggegooid en moeten na gebruik op de juiste manier worden afgevoerd in overeenstemming met de WEEE-richtlijn 2012/19 / EU,

betreffende afgedankte elektrische apparatuur uit zorg voor hergebruik van materialen. De gescheiden inzameling van oude elektrische apparaten leidt tot een milieuvriendelijke afvoer en is voor de consument geheel gratis.

WEEE-reg. Nr. in Duitsland: DE66256568.

Verpakkingen die als afval bij particuliere eindgebruikers terecht komen, moeten conform de richtlijn gescheiden van het gemengd afval worden ingezameld. Verpakkingen mogen niet verwijderd worden via het restafval en de GFT-bak of in de natuur terecht komen. Afhankelijk van het materiaal moet het verpakkingsmateriaal gescheiden en in daarvoor bestemde recyclingbakken of, in sommige gemeenten, in afvalbakken worden afgevoerd.

14 Technische gegevens

Motorspanning	24 Volt
Stroomverbruik	2 A
Opgenomen vermogen	48 W
Max. breedte hek	4,0 m
Max. gewicht hek	250 kg
Veiligh. klasse	I - IP44
Kracht (nominaal)	250 N
Loopsnelheid	variabel
Openingstijd 90°	14 sec.
Temperatuur bereik	-20°C tot + 55°C

HINWEIS: Die Original Montage- und Betriebsanleitung wurde in deutscher Sprache erstellt. Bei jeder anderen verfügbaren Sprache handelt es sich um eine Übersetzung der deutschen Originalversion.

1	Allgemeine Sicherheitshinweise	1
2	Lieferumfang	2
3	Tortypen	2
4	Torsituation	2
5	Anschläge	2
6	Pfeilerbeschlag	2
7	Torbeschlag	2
8	Entriegelung	2
9	Montage Antriebsarm	2
10	Verkabelung	3
11	Erste Inbetriebnahme	3
12	Wartungsarbeiten	3
13	Entsorgung	3
14	Technische Daten	3

1 Allgemeine Sicherheitshinweise



Solche Warnzeichen bedeuten "Vorsicht!", eine Aufforderung zur Beachtung, da ihre Mißachtung Personen- bzw. Sachschäden verursachen kann. Bitte lesen Sie diese Warnungen sorgfältig.



Dieser Torantrieb ist so konstruiert und geprüft, daß er bei Installation und Benutzung unter genauer Befolgung der anschließenden Sicherheitsregeln angemessene Sicherheit bietet. Die Nichtbeachtung der folgenden Sicherheitsregeln kann ernsthafte Personen- oder Sachschäden verursachen.



Beim Umgang mit Werkzeugen und Kleinteilen Vorsicht walten lassen und weder Ringe, Uhren noch lose Kleidungsstücke tragen, wenn Sie Installationsoder Reparaturarbeiten an einem Tor vornehmen.



Es ist wichtig, das Tor immer gut gangbar zu halten. Tore die steckenbleiben oder verklemmen, sind unverzüglich zu reparieren. Versuchen Sie nicht das Tor selbst zu reparieren. Bestellen Sie dafür einen Fachmann.



Elektrische Leitungen sind entsprechend den lokalen Bau- und Elektroinstallationsvorschriften zu verlegen. Das elektrische Kabel darf nur von einer autorisierten Elektrofachkraft an ein ordnungsgemäß geerdetes Netz angeschlossen werden.



Entfernen Sie zusätzliches Zubehör aus der Nähe von Kindern. Erlauben Sie Kindern nicht Drucktaster und Fernbedienungen zu bedienen. Schwere Verletzungen können durch ein sich schließen- des Tor verursacht werden.



Bei der Montage muß ein Einschließen zwischen dem angetriebenen Teil und den umgebenden Teilen des Gebäudes (z.B. eine Wand) aufgrund der Öffnungsbewegung des angetriebenen Teils berücksichtigt werden.



Automatisch gesteuerte Geräte müssen vom Netz getrennt werden, wenn Wartungsarbeiten wie zum Beispiel Reinigung ausgeführt werden. In der festverlegten Installation ist eine Trennvorrichtung vorzusehen, um ein allpoliges Abschalten mittels Schalter (mind. 3mm Kontaktöffnungsweg) oder separate Sicherung zu gewährleisten.



Entfernen Sie bitte alle am Tor angebrachten Schlösser um Schaden am Tor zu vermeiden.



Stellen Sie sicher, daß Personen, die den Antrieb montieren, warten oder bedienen diesen Anleitungen folgen. Bewahren Sie die Anleitung an einem Ort auf, an dem schnell auf sie zurückgegriffen werden kann.



Nach der Installation ist zu prüfen, daß der Mechanismus richtig eingestellt ist und dass der Antrieb, das Sicherheitssystem und die Notentriegelung richtig funktioniert.



Der endgültige Schutz vor Quetsch- und Scherstellen muss nach der Montage des Antriebes mit dem Tor gewährleistet sein.



Ist ein Gehör im Tor vorhanden, darf der Antrieb nicht starten oder weiter laufen, wenn das Tor nicht ordnungsgemäss geschlossen ist.



2 Lieferumfang

- (1) Antrieb LA400EV (1x)
- (2) Pfeilerbeschlag (1x)
- (3) Schlüssel (2x)
- (4) Torbeschlag (1x)
- (5) Bolzen (2x) und Ringe (4x)
- (6) Montageanleitung (1x)

BEVOR SIE BEGINNEN

Der Antrieb benötigt an der Seite Platz für Arme und Montage. Achten Sie bitte darauf, ob dieser zur Verfügung steht. Tore mit starker Windlast sind mit einem (elektrischen) Schloß zusätzlich zu sichern!

Es gibt viele Faktoren, die für die Wahl des richtigen Antriebs entscheidend sind. Ausgehend von einem gut funktionierendem Tor, stellt das „Anfahren“ das Schwierigste dar. Ist das Tor in Bewegung hat es zumeist einen erheblich geringeren Kraftbedarf.

- **Torgroße:** Die Torgroße ist ein sehr wichtiger Faktor. Wind kann das Tor bremsen oder es verspannen und den Kraftbedarf stark erhöhen.
- **Torgewicht:** Die Angabe Torgewicht stellt nur eine ungefähre Kenngröße dar, die sehr stark vom tatsächlichen Bedarf abweichen kann. Die Funktion ist wichtig.
- **Einfluss der Temperatur:** Tiefe Außentemperaturen können das Anfahren erschweren (Bodenveränderungen etc.) oder verhindern.
- **Betriebsfrequenz/Einschaltdauer:** 24Volt Antriebe können permanent laufen.

CHECKLISTE INSTALLATION – VORBEREITUNGEN

Kontrollieren Sie den Inhalt der Verpackung und lesen Sie die Anleitung aufmerksam durch. Stellen Sie die einwandfreie Arbeitsweise Ihrer Torvorrichtung sicher. Das Tor muß gleichmäßig und stossfrei laufen, es darf an keiner Stelle hängenbleiben. Denken Sie daran, daß sich der Boden im Winter um einige Zentimeter heben kann. Um störende Pendelbewegungen zu vermeiden sollte das Tor stabil und möglichst spielfrei sein. Je leichtgängiger der Flügel, desto feinfühlicher ist die Kraft einzustellen.

Machen Sie sich Notizen welches Material Sie noch benötigen und besorgen Sie es vor Beginn der Montage. Klebeanker(stabile Dübel), Schrauben, Anschläge, Kabel, Verteilerdosen, Werkzeuge, etc.

3 Tortypen

Der Tortyp entscheidet über die Montageplatz des Antriebs. Ist der Anschlag des Tores auf dem Boden sollte der Antrieb ebenfalls möglichst weit unten montiert werden, damit er das Tor nicht verdrehen kann. Verwenden sie nur Teile des Rahmens für die Befestigung.

TYP A, B, C

Bei Stahltores sollte die Befestigung des Torbeschlags am Hauptrahmen erfolgen. Ist nicht klar ob der zur Verfügung stehende Träger stabil genug ist, verstärken Sie ihn.

TYP D, E, F

Bei Holztores muß der Torbeschlag durchgeschraubt werden. Eine Platte von der Außenseite wird empfohlen, damit die Befestigung sich mit der Zeit nicht lockern kann. Dünne Holztores müssen zusätzlich verstärkt werden, weil Sie sonst der Beanspruchung nicht standhalten (z.B. Typ F).

4 Torsituation

Wie weit muß der Flügel geöffnet werden?

90 Grad oder bis 115 Grad. Ein Öffnungswinkel über 115 Grad ist bedingt möglich, aber nicht empfehlenswert! Begründung: Der Antrieb läuft immer mit der gleichen Geschwindigkeit. Je weiter das Tor geöffnet werden muß um so schneller muß sich der Flügel bewegen. Die Bewegungen werden ruckartiger, Beschläge und Tor werden dadurch extrem belastet.

Gilt für Antriebe ohne Endschalter: Ein unterschiedlicher Öffnungswinkel führt dazu, daß der Antrieb, der zuerst sein Ziel erreicht am Anschlag „brummt“ (laufender Motor) und am Tor drückt, bis der andere Motor ebenfalls seine Endlage erreicht hat (siehe Abbildungen 4A-F).

Profi Tip: Durch gezielt unterschiedliche A+B Maße (links + rechts) läßt sich die Zeit des Erreichens am Endanschlag kontrollieren. Die Beschläge werden aber bei dieser Montageart hoch belastet und es kann zu einem ruckartigen Lauf des Tores kommen. Diese Methode ist nur dem erfahrenen Torbauer zu empfehlen.

HINWEIS: Öffnet das Tor zu einer Mauer oder Wand besteht Einklemmgefahr. Ist der bei geöffnetem Tor übrig bleibende Abstand unter 200mm, muss dieser Bereich später zusätzlich mittels einer Lichtschranke oder Kontakteiste gesichert werden.

5 Anschläge

Es wird Empfohlen einen festen Anschlag für Tor AUF und Tor ZU zu verwenden. Anschläge schonen den Antrieb, das Tor und die Beschläge. Ein Betreiben des Tores ohne feste Endanschläge führt zu einem schlechten Lauf, ist oft gefährlich und führt zu einem vorzeitigen Verschleiß und zum Erlöschen der Garantie!

6 Pfeilerbeschlag

Der richtige Platz des Pfeilerbeschlags ist entscheidend für die spätere Funktion der Anlage. Er bestimmt den Abstand des Drehpunktes des Motors zum Drehpunkt des Tores und somit den Öffnungswinkel. Man spricht von **Maß A und Maß B**. Unterschätzen Sie nicht den Einfluß dieser Maße auf die Funktion und den Lauf. Versuchen Sie das beste Maß für Ihren Öffnungswinkel unter allen Umständen und so genau wie möglich zu erreichen. Siehe Tabelle (**Abbildung 5A**) für Maße A/B.

Ist der Pfeiler nicht breit genug, muß eine Adapterplatte angefertigt werden (**Abbildung 6B**). Ist der Pfeiler zu dick, muß er ausgenommen (**Abbildung 6D**) oder das Tor versetzt werden (**Abbildung 6C**).

Um optimale Maße zu erreichen, kann es nötig sein, die mitgelieferte Scharnierplatte zu kürzen oder zu verlängern. Bei neu anzufertigenden Toren kann, wenn die Torangeln an den Pfeilern entsprechend montiert werden, Einfluß auf die Maße A und B genommen werden. Bevor die Anbaumaße endgültig festgelegt werden, sollte immer geprüft werden, ob der Antrieb beim Schwenken nicht am Pfeiler anecken könnte.

MONTAGE: Die Kräfte, mit denen sich der Antrieb gegen den Pfeiler abstützt, sind sehr groß. Meistens ergeben sich schon akzeptable Einbaumaße, wenn die mitgelieferte Scharnierplatte direkt an den Pfeiler geschweißt wird. Bei dicken Stein- oder Betonpfosten muss das Scharnierteil auf eine Trägerplatte geschweißt und so befestigt werden, dass sich die Dübel im Betrieb nicht lockern können. Besser als Stahloder Kunststoff-Spreizdübel eignen sich hierzu Klebe-Verbundanker, bei denen ein Gewindestift spannungsfrei im Mauerwerk eingeklebt wird. Bei gemauerten Pfeilern sollte eine größere Stahlplatte, mehrere Steine überdeckend, angeschraubt werden, auf die dann die Scharnierplatte aufgeschweißt werden kann. Gut zur Befestigung eignet sich auch eine um die Pfeilerkante befestigte Winkelplatte.

7 Torbeschlag

Der Torbeschlag muß waagrecht zum Pfeilerbeschlag montiert werden. Der Abstand zwischen den Beschlägen wird Einspannmaß genannt. Im geschlossenen Zustand des Tores ist der Antrieb 99% ausgefahren. Im geöffneten Zustand des Tores ist der Antrieb 1% ausgefahren. Komplettes EIN oder AUS - fahren des Kolbens im Betrieb (mit Tor) beschädigt den Antrieb und führt zum Erlöschen der Garantie! Halten Sie das Einspannmaß unter allen Umständen ein! Bei Stahltores sollten die Befestigungen angeschweißt oder durchgeschraubt werden. Beim Durchschrauben sind auf der Rückseite große Scheiben zu verwenden oder eine Platte. Bei Holztores muß die Befestigung durchgeschraubt werden. Eine Platte von der Außenseite wird ist sehr zu empfehlen, damit die Befestigung sich nicht lockern kann. Dünne Holztores ohne Metallrahmen müssen zusätzlich verstärkt werden, weil Sie einer dauernden Beanspruchung nicht standhalten (z. B. Typ F).

8 Entriegelung

Der Antriebsmechanismus läßt sich entriegeln. Das Tor kann anschließend von Hand geöffnet und betätigt werden (Stromausfall). Bei neuen Antrieben wird die Entriegelung manchmal als schwergängig/ruckend empfunden. Das ist normal und hat keine Auswirkung auf die Funktion!

Entriegeln: Stecken Sie den Zylinderschlüssel ein und drehen Sie ihn um 180 Grad. Anschließend drehen Sie den Entriegelungshebel ebenfalls um 180 Grad. Fertig.

Verriegeln: Drehen Sie den Hebel nach Hinten. Sobald sich das Tor bewegt oder der Antrieb läuft verriegelt das Getriebe wieder. Mittels des Schlosses kann nun der Hebel gegen unbeaufsichtigtes Entriegeln gesichert werden.

9 Montage des Antriebsarm

Entriegeln Sie den Antrieb. Schieben Sie den entriegelten Antrieb auf die Beschläge und sichern Sie ihn mit den mitgelieferten Bolzen, Ringen oder Müttern (**Abbildung 7**). Wird am Pfeilerbeschlag das mittlere oder das innere Befestigungsloch benutzt, muss der Pfeilerbeschlag vor der ersten Inbetriebnahme gekürzt werden um am Antrieb genügend Freiraum zu belassen. Eine Missachtung führt zu einem Bruch des Beschlags am Antrieb! Wird der Antrieb auf den Beschlag geschoben, darf kein Hammer oder ähnliches benutzt werden.

10 Verkabelung

Das Anschlußkabel ist 6-polig, ca. 80cm lang und wird in einem Bogen zur Steuerung oder zu einer oberirdisch angebrachten wasserdichten Verteilerdose geführt. Von der Verteilerdose erfolgt mittels zulässigem Kabel eine feste Verlegung.

Anschluß: Siehe Anleitung Steuerung.

Kabelfarben:

Braun/Grün/Weiss/Gelb=Sensoren

Blau/Rot: 24Volt Motor.

ZUBEHÖR TIPP: Verlängerungskabel LA400-JB40

Beinhaltet:

- (1) 12m Kabel mit Klemmen
- (1) Verteilerdose IP65
- (2) Zugentlastungen PG 13,5
- (1) Montagematerial

11 Erste Inbetriebnahme

Prüfen Sie im entriegelten Zustand mit der Hand am Tor die Funktion. Eine elektrische Inbetriebnahme ist nur mit einer geeigneten Steuerung möglich. die Sie als Zubehör erwerben können. Achten Sie immer darauf, ob die für die Anlage zutreffenden mechanischen und elektrischen Sicherheitsvorschriften eingehalten werden.

Ist die Kraft des sich bewegenden Flügels an der Schließkante höher als 400N müssen zusätzliche Sicherheitseinrichtungen (Lichtschranke, Kontakteleiste) verwendet werden. Sicherheitseinrichtungen müssen den Anforderungen EN60335-2-103 entsprechen.

12 Wartungsarbeiten

Die Mechanik des Antriebs ist wartungsfrei. Prüfen Sie in regelmäßigen Abständen (monatlich) den festen Sitz der Beschläge des Tores und des Antriebs. Entriegeln Sie den Antrieb und testen Sie die Funktion des Tores. Nur ein leichtgängiges Tor wird auch gut mit einem Antrieb funktionieren. Ein Antrieb ist kein Ersatz für ein schlecht funktionierendes Tor.

HINWEIS: Siehe auch Anleitung der Steuerung

13 Entsorgung



Unsere elektrische und elektronische Geräte dürfen nicht in den Hausmüll entsorgt werden und müssen gemäß der WEEE Richtlinie 2012/19/EU, über Elektro-Altgeräte nach Verwendung ordnungsgemäß entsorgt werden, um eine Wiederverwertung von Materialien zu gewährleisten. Die getrennte Erfassung von Elektro-Altgeräten führt zu einer umweltgerechten Entsorgung und ist für den Verbraucher vollkommen kostenfrei.

WEEE-Reg.-Nr. in Deutschland: DE66256568.

Beim privaten Endverbraucher als Abfall anfallende Verpackungen müssen einer vom gemischten Abfall getrennten Sammlung, gemäß der Richtlinie, zugeführt werden. Verpackungen dürfen nicht im Restmüll, der Biotonne oder gar in der Natur entsorgt werden. Die Verpackungsmaterialien müssen, je nach Material, getrennt und in dafür vorgesehenen Recyclingsbehältern, sowie in einigen Kommunen in Wertstofftonnen, entsorgt werden.

14 Technische Daten

Motorspannung	24 Volt
Stromaufnahme	2 A
Leistungsaufnahme	48 W
Max. Torbreite	4,0 m
Max. Torgewicht	250 kg
Schutzklasse	I - IP44
Kraft (Nominal)	250 N
Laufgeschwindigkeit	variabel
Öffnungszeit 90°	14 Sek.
Temperaturbereich	-20°C bis + 55°C

NOTA: Le istruzioni originali per il montaggio e per le operazioni sono state redatte in lingua tedesca. Le versioni disponibili nelle altre lingue sono una traduzione dell'originale tedesco.

1	Avvertenze generali in materia di sicurezza	1
2	Contenuto della fornitura	2
3	Tipi di cancello	2
4	Collocazione del cancello	2
5	Arresti	2
6	Ferratura del pilastro	2
7	Ferratura del cancello	2
8	Sblocco	2
9	Montaggio dei bracci dell'attuatore	2
10	Cablaggio	3
11	Messa in funzione iniziale	3
12	Interventi di manutenzione	3
13	Smaltimento	3
14	Dati tecnici	3

1 Avvertenze generali in materia di sicurezza



Questi segnali di pericolo significano „Attenzione!“ ed esortano al rispetto delle norme di sicurezza in quanto la loro inosservanza può provocare danni a persone e cose. Si prega di leggere attentamente queste avvertenze. Questo attuatore per l'automazione di cancelli è stato costruito e collaudato in modo da offrire una sicurezza adeguata nell'installazione e nell'uso, a condizione che le seguenti norme di sicurezza vengano osservate scrupolosamente.



La mancata osservanza delle seguenti norme di sicurezza può provocare gravi danni a persone o cose.



Maneggiare con cautela utensili e minuterie; non indossare anelli, orologi o indumenti larghi quando si eseguono lavori di installazione o riparazione.



La posa in opera delle linee elettriche deve essere eseguita in conformità alle norme nazionali in materia edilizia e di impianti elettrici. Il cavo elettrico deve essere collegato ad una rete dotata di regolare messa a terra esclusivamente da un elettrotecnico autorizzato.



Al momento del montaggio è necessario prendere in considerazione il rischio di intrappolamento tra la parte motorizzata e le parti circostanti dell'edificio (ad es. una parete) per il movimento di apertura della parte azionata.



Rimuovere tutte le serrature applicate sul cancello al fine di evitare danni al cancello.



Dopo l'installazione è necessario verificare l'esatta regolazione del meccanismo ed il corretto funzionamento del sistema di automazione, del sistema di sicurezza e dello sblocco di emergenza.



Se il cancello è dotato di porta pedonale, l'attuatore non deve avviarsi o continuare a funzionare se il cancello non è chiuso correttamente.



È importante mantenere sempre ben scorrevole il cancello. Se un cancello si inceppa o si blocca deve essere riparato immediatamente. Non provare a riparare il cancello da soli, ma richiedere l'intervento di un tecnico qualificato.



Tenere gli accessori supplementari fuori dalla portata dei bambini. Non consentire ai bambini l'uso dei pulsanti e dei telecomandi. Un cancello in fase di chiusura può provocare lesioni gravi.



Gli apparecchi a comando automatico devono essere scollegati dalla rete elettrica durante l'esecuzione di interventi di manutenzione o di pulitura. Gli impianti a posa fissa devono essere dotati di disgiuntore al fine di assicurare una disinserzione onnipolare mediante interruttore (distanza di apertura dei contatti di almeno 3 mm) o dispositivo di protezione separato.



Assicurarsi che le persone addette al montaggio e alla manutenzione di questo sistema di automazione o le persone che ne fanno uso, seguano le presenti istruzioni. Conservare le istruzioni in un luogo a portata di mano.



La protezione nei punti in cui sussistono pericoli di schiacciamento e cesoiamento deve essere garantita in modo definitivo dopo il montaggio dell'attuatore sul cancello.

2 Contenuto della fornitura

- (1) Attuatore LA400EV (1x)
- (2) Ferratura del pilastro (1x)
- (3) Chiavi per ciascun attuatore (2x)
- (4) Ferratura del cancello (1x)
- (5) Bulloni (2x) ed anelli (1x)
- (6) Istruzioni di montaggio (1x)

PRIMA DI INIZIARE

L'attuatore deve avere uno spazio laterale sufficiente per i bracci e per il montaggio. Verificare la disponibilità di tale spazio. I cancelli esposti a forti raffiche di vento devono essere dotati di una serratura supplementare (elettrica)!

I fattori decisivi per la scelta dell'attuatore più adeguato sono molti. Partendo dal presupposto di un cancello in buone condizioni di funzionamento, l'aspetto più difficile è costituito dall' "avviamento". Una volta in movimento, il cancello necessita poi, in linea di massima, di una forza molto più ridotta.

- **Dimensioni del cancello:** le dimensioni del cancello sono un fattore molto importante. Il vento può frenare il cancello oppure contrastare il suo movimento ed aumentare sensibilmente la forza necessaria.
- **Peso del cancello:** il dato relativo al peso del cancello costituisce soltanto un parametro approssimativo, che può differire di molto dal peso effettivamente richiesto. Importante è invece il buon funzionamento.
- **Effetti della temperatura:** le basse temperature esterne possono ostacolare il movimento iniziale (variazioni del terreno, ecc.) o impedirlo del tutto.
- **Frequenza/durata di funzionamento:** Gli attuatori da 24 Volt possono funzionare continuamente.

LISTA DI CONTROLLO INSTALLAZIONE – PREPARATIVI

Controllare il contenuto della confezione e leggere attentamente le istruzioni. Accertarsi che il cancello funzioni in modo perfetto. Il cancello deve avere una corsa regolare, priva di urti, e non deve incepparsi in alcun punto. Tenere presente che in inverno il terreno può sollevarsi di alcuni centimetri. Per evitare inopportuni movimenti oscillatori, il cancello deve essere stabile e con il minimo gioco possibile. Più scorrevole è l'anta, più precisa dovrà essere la regolazione della forza.

Prendere nota e procurarsi il materiale ancora mancante prima di iniziare il montaggio: ad es. tasselli con ancorante chimico (tasselli fissi), viti, fermi, cavi, cassette di distribuzione, utensili, ecc.

3 Tipi di cancello

Il tipo di cancello determina la posizione di montaggio dell'attuatore. Se l'arresto della porta è a terra, anche l'attuatore deve essere montato il più in basso possibile in modo che non possa svergolare il cancello. Per il fissaggio utilizzare esclusivamente parti del telaio.

TIPO A, B, C

Per i cancelli in acciaio il fissaggio della ferratura deve essere effettuato sul telaio principale. In caso di dubbio circa la sufficiente robustezza dell'elemento portante a disposizione, questo deve essere rinforzato.

TIPO D, E, F

Per i cancelli in legno la ferratura deve essere fissata con viti passanti. Si raccomanda di applicare una piastra sul lato esterno in modo che il fissaggio non si possa allentare nel tempo. I cancelli in legno di spessore sottile devono essere rinforzati ulteriormente affinché possano resistere alle sollecitazioni (ad es. tipo F).

4 Collocazione del cancello

Quale angolo di apertura deve avere l'anta?

90 gradi oppure fino ad un massimo di 115 gradi. Un angolo di apertura superiore a 115 gradi è certamente possibile ma non consigliabile! Motivazione: l'attuatore si muove sempre alla stessa velocità. Più ampio deve essere l'angolo di apertura del cancello, più elevata deve essere la velocità di movimento dell'anta. I movimenti si fanno più bruschi e questo comporta forti sollecitazioni per ferrature e cancello.

Per attuatori senza finecorsa: Nel caso di due diversi angoli di apertura, accade che l'attuatore che per primo raggiunge la posizione finale, "ronza" sull'arresto (motore in funzione) e preme sul cancello fino a quando anche l'altro motore non avrà raggiunto la posizione finale (figura 4A-F).

Suggerimento per il professionista: nel caso di misure A+B (sinistra + destra) deliberatamente diverse, è possibile controllare il tempo necessario per raggiungere l'arresto di fine corsa. Tuttavia, questa modalità di montaggio comporta sollecitazioni elevate per le ferrature, e la corsa del cancello può risultare brusca. Questo metodo è consigliabile soltanto per installatori esperti.

NOTA: se il cancello si apre verso un muro o una parete, vi è il rischio di intrappolamento. Se a cancello aperto la distanza restante è inferiore a 200 mm, quest'area deve essere dotata successivamente di dispositivi di sicurezza supplementari (fotocellula o costa sensibile).

5 Arresti

Gli arresti di un cancello ad ante battenti nelle posizioni di cancello APERTO e cancello CHIUSO devono essere robusti. Gli arresti preservano l'attuatore, il cancello e le ferrature. L'azionamento di un cancello privo di arresti di fine corsa robusti si traduce in un funzionamento insoddisfacente, è spesso pericoloso, determina una rapida usura e comporta l'annullamento della garanzia!

6 Ferratura del pilastro

La corretta collocazione della ferratura del pilastro è decisiva per il successivo funzionamento dell'impianto. Essa determina la distanza del centro di rotazione del motore rispetto al centro di rotazione del cancello e quindi l'angolo di apertura. Si parla di **misura A** e di **misura B**. Non sottovalutare l'influenza di queste misure sul funzionamento e sulla corsa. Cercare di avvicinarsi il più possibile alla misura che risulti essere la migliore sotto ogni punto di vista per l'angolo di apertura del caso specifico. Si veda la tabella (figura 5A) per le misure A/B.

Se la larghezza del pilastro non è sufficiente, è necessario predisporre una piastra adattatrice (figura 6B). Se il pilastro è troppo spesso, è necessario ricavarvi una nicchia (figura 6D) oppure spostare il cancello (figura 6C).

Per ottenere misure ottimali, può rendersi necessario accorciare o allungare la piastra a cerniera fornita in dotazione. Nel caso di cancelli di nuova costruzione è possibile predeterminare le misure A e B se i cardini del cancello vengono montati sulla base di queste stesse misure. Prima di stabilire le misure di montaggio definitive, verificare sempre che l'attuatore non urti contro il pilastro nelle fasi di movimento del cancello.

MONTAGGIO: le forze con cui l'attuatore va ad appoggiarsi contro il pilastro sono molto elevate. Nei casi in cui la piastra a cerniera fornita in dotazione viene saldata direttamente sul pilastro, le misure di montaggio risultanti sono in linea di massima accettabili. Nel caso di spessi pilastri in pietra o in calcestruzzo, l'elemento incernierato deve essere saldato su una piastra portante e fissato in modo che i tasselli non si possano allentare per le sollecitazioni dovute al normale funzionamento. I tasselli con ancorante chimico, nei quali una barra filettata viene incollata nella muratura e quindi con assenza di tensioni nel materiale, sono più adatti a tale scopo rispetto ai tasselli ad espansione in acciaio o plastica. Sui pilastri in muratura è necessario avvitare una piastra in acciaio di maggiori dimensioni, coprendo in tal modo più mattoni, sulla quale si può quindi saldare la piastra a cerniera. Particolarmente adatta per il fissaggio è anche una piastra angolare fissata attorno allo spigolo del pilastro.

7 Ferratura del cancello

La ferratura del cancello deve essere montata orizzontalmente rispetto alla ferratura del pilastro. La distanza tra le ferrature viene denominata misura d'incastro. Nella posizione di cancello chiuso la corsa del pistone arriva al 99%, mentre nella posizione di cancello aperto la corsa è del 1%. La corsa completa del pistone in estensione o a riposo durante il normale funzionamento (con cancello) danneggia l'attuatore e comporta l'annullamento della garanzia! La misura d'incastro deve essere assolutamente rispettata! Per le misure si veda la figura 6A.

Per i cancelli in acciaio i fissaggi devono essere effettuati mediante saldatura o con viti passanti. In quest'ultimo caso, sul lato posteriore si devono applicare rondelle di grandi dimensioni oppure una piastra. Per i cancelli in legno il fissaggio deve essere realizzato con viti passanti. È consigliabile applicare una piastra sul lato esterno in modo che il fissaggio non si possa allentare. I cancelli in legno di spessore sottile e privi di intelaiatura metallica devono essere rinforzati ulteriormente in quanto non sono in grado di resistere a sollecitazioni continue.

8 Sblocco

Il meccanismo dell'attuatore può essere sbloccato. Dopo lo sblocco è possibile aprire ed azionare manualmente il cancello (interruzione di corrente). Negli attuatori nuovi il movimento di sblocco risulta talvolta poco scorrevole o non uniforme. Questo è normale e non influisce minimamente sul funzionamento!

Sblocco: infilare la chiave cilindrica e ruotarla di 180 gradi. Ruotare quindi la leva di sblocco sempre di 180 gradi. Il cancello è sbloccato.

Blocco: ruotare all'indietro la leva. Non appena il cancello si muove o entra in funzione l'attuatore, il meccanismo si blocca di nuovo. Con il lucchetto è quindi possibile impedire che la leva si sblocchi accidentalmente.

9 Montaggio dei bracci dell'attuatore

Sbloccare l'attuatore. Spingere l'attuatore sbloccato sulle ferrature ed fissarlo con i bulloni e gli anelli forniti in dotazione (figura 7). Se sulla ferratura del pilastro si utilizza il foro di fissaggio centrale o interno, si deve rimuovere la parte restante della ferratura prima di procedere alla prima messa in funzione, al fine di lasciare sufficiente spazio libero sull'attuatore. La mancata osservanza di tale disposizione comporta la rottura della ferratura sull'attuatore! Non utilizzare martelli o utensili simili per montare l'attuatore sulla ferratura.

10 Cablaggio

il cavo di collegamento è esapolare, ha una lunghezza di 3 m circa e viene portato con una curvatura fino alla centralina oppure fino ad una cassetta di distribuzione a tenuta stagna montata sopra terra. Dalla cassetta di distribuzione parte un cavo omologato in posa fissa.

Collegamento: si vedano le istruzioni della centralina.

Colori cavi:

marrone/verde/bianco/giallo = sensori

blu/rosso: motore 24 Volt.

ACCESSORIO SUGGERITO: Verlängerungskabel LA400-JB40

Contiene:

(1) cavo di 12 m con morsetti

(1) cassetta di distribuzione IP65

(2) dispositivi antitrazione PG 13,5

(1) materiale di montaggio

11 Messa in funzione iniziale

Sbloccare il cancello e verificarne manualmente il corretto funzionamento. La messa in funzione con l'impianto elettrico non può essere attuata senza una centralina adeguata, disponibile come accessorio. Verificare sempre che siano rispettate le norme di sicurezza meccaniche ed elettriche vigenti per questo tipo di impianto.

Se nello spigolo di chiusura la forza dell'anta in movimento è superiore a 400 N, si devono installare dispositivi di sicurezza supplementari (fotocellula, costa sensibile). I dispositivi di sicurezza devono soddisfare i requisiti della norma EN60335-2-103.

12 Interventi di manutenzione

La meccanica dell'attuatore non necessita di manutenzione. Ad intervalli regolari (ogni mese) controllare che i fissaggi delle ferrature del cancello e dell'attuatore siano ben saldi. Sbloccare l'attuatore e controllare il funzionamento del cancello. Solo un cancello scorrevole può funzionare bene anche con un attuatore. Un sistema di automazione non può costituire un rimedio per un cancello che funziona in modo imperfetto.

NOTA: si vedano anche le istruzioni della centralina.

13 Smaltimento



Le nostre apparecchiature elettriche ed elettroniche non possono essere smaltite insieme ai normali rifiuti domestici e, dopo l'uso, devono essere adeguatamente smaltite secondo la direttiva RAEE 2012/19/UE, sui rifiuti di apparecchiature elettriche obsolete, per garantire il recupero dei materiali. La raccolta differenziata di rifiuti di apparecchiature elettriche ed elettroniche comporta uno smaltimento ecocompatibile ed è assolutamente priva di costi per il consumatore. N° di Reg. RAEE in Germania: DE66256568.

Presso il consumatore finale i rifiuti risultanti da imballi devono essere avviati, tramite raccolta differenziata, ad uno smaltimento separato da quello dei rifiuti misti. Gli imballi non devono essere smaltiti insieme ai rifiuti residui, nel contenitore dei rifiuti biologici e, men che meno, dispersi nell'ambiente. I materiali d'imballaggio devono essere oggetto di una raccolta differenziata sulla base dei loro componenti ed essere smaltiti in appositi contenitori per il riciclaggio e/o, come avviene in alcuni Comuni, in bidoni per materiale riciclabile.

14 Dati tecnici

Tensione motore	24 Volt
Corrente assorbita	2 A
Potenza assorbita	48 W
Larghezza massima del cancello	4,0 m
Peso massimo del cancello	250 kg
Classe di protezione	I - IP44
Forza (nominale)	250 N
Velocità corsa	variabile
Tempo di apertura 90°	14 sec.
Tempe Temperatura di esercizio	-20°C a + 55°C

Tabla de contenido

NOTA: Las instrucciones originales de montaje y funcionamiento están redactadas en alemán. Cualquier otro idioma disponible es una traducción de la versión original alemana.

1	Indicaciones generales de seguridad	1
2	Volumen de suministro	2
3	Tipos de puertas	2
4	Configuración de puerta	2
5	Topes de puerta	2
6	Soporte del poste	2
7	Herraje de la puerta	2
8	Desbloqueo	2
9	Instalar los brazos	2
10	Cableado	3
11	Primera puesta en marcha	3
12	Wartungsarbeiten	3
13	Eliminación	3
14	Datos técnicos	3

1 Indicaciones generales de seguridad



Este símbolo de advertencia sobre seguridad indica „Precaución”. En caso de no cumplirse supondrá un riesgo de lesión personal o daño a la propiedad. Lea estas advertencias detenidamente. El mecanismo de apertura de la puerta se ha diseñado y probado con el fin de proporcionar un servicio adecuadamente seguro siempre y cuando sea instalado y operado ateniéndose estrictamente a las siguientes normas de seguridad.



La incorrecta instalación o no atenerse a las siguientes instrucciones puede causar graves lesiones personales o daños a la propiedad.



Cuando utilice herramientas y piezas pequeñas para la instalación o al efectuar una reparación en la puerta, proceda con precaución y no lleve anillos, relojes o ropa holgada.



Cualquier posibilidad de quedarse aprisionado por la hoja en movimiento entre la hoja y la pared se deberá proteger mediante cantos protectores o sensores infrarrojos.



Bei der Montage muß ein Einschließen zwischen dem angetriebenen Teil und den umgebenden Teilen des Gebäudes (z.B. eine Wand) aufgrund der Öffnungsbewegung des angetriebenen Teils berücksichtigt werden.



Retire los bloqueos montados en la puerta para prevenir que ésta resulte deteriorada.



Después de la instalación, se deberá realizar una prueba final comprobando el funcionamiento del sistema y que los dispositivos de seguridad funcionen perfectamente.



El mecanismo de apertura no se puede utilizar con una puerta que incorpore una portezuela a menos que el mecanismo de apertura no se pueda operar con la portezuela abierta.



Es de suma importancia asegurarse de que la puerta siempre se deslice suavemente. Las puertas que se encajen o se atasquen deberán repararse inmediatamente. Recorra a los servicios de un técnico debidamente cualificado para reparar la puerta, nunca intente repararla por su cuenta.



Mantenga los accesorios adicionales fuera del alcance de los niños. No permita que los niños jueguen con pulsadores o controles remotos. Una puerta puede generar graves lesiones cuando se está cerrando.



Desconecte el sistema del suministro eléctrico antes de realizar cualquier tipo de reparación o retirar las cubiertas. Se deberá aportar un dispositivo de desconexión en la instalación con cableado permanente para garantizar la desconexión de todos los polos, mediante un interruptor (un entrehierro de contacto de 3 mm como mínimo) o por un fusible separado.



Asegúrese de que quien instale, efectúe el mantenimiento u opere el mecanismo de apertura de la puerta, respete las presentes instrucciones. Consérvelas en un lugar seguro para poder consultarlas rápidamente en caso necesario.



Cuando se hayan instalado los brazos del mecanismo de apertura, la protección completa contra un posible aplastamiento o aprisionamiento deberá funcionar inmediatamente.

2 Volumen de suministro

- (1) Motor LA400EV (1x)
- (2) Soporte del poste (1x)
- (3) Llaves para cada automatismo (2x)
- (4) Soporte del herraje de la puerta (1x)
- (5) Clavija con cabeza (2x) y anillas (4x)
- (6) Manual (1x)

ANTES DE COMENZAR

El mecanismo de apertura requiere espacio en el lateral para poder efectuar una instalación correcta de los brazos; asegúrese de que se dispone del mismo. Las puertas que resulten afectadas por grandes golpes de viento también se deberá proteger mediante un bloqueo (eléctrico).

Hay que considerar muchos factores a la hora de elegir el mecanismo de apertura correcto. Partiendo del hecho de que la puerta funcione adecuadamente, „arrancar“ es la fase más difícil, una vez que la puerta está en movimiento, evidentemente se requiere menos fuerza para desplazarla.

- **Dimensión de la puerta:** la dimensión de la puerta es un factor muy importante. El viento puede frenar o deformar la puerta, por eso, se incrementará la cantidad de la fuerza requerida para desplazarla considerablemente.
- **Peso de la puerta:** el peso de la puerta no es tan relevante como la dimensión.
- **Acción de la temperatura:** las temperaturas exteriores bajas pueden provocar que el arranque inicial resulte más difícil (variaciones en el terreno, etc.) o incluso impedirlo.
- **Frecuencia operativa/Tiempo operativo:** Los automatismos de 24 voltios pueden estar en marcha de forma permanente.

LISTA DE VERIFICACIÓN DE INSTALACIÓN - PREPARACIONES

Verifique el contenido de la caja y lea las instrucciones detenidamente. Asegúrese de que su equipo de puerta opera perfectamente. La puerta debe deslizarse uniforme y suavemente y no debe quedarse encajada en ningún momento. Recuerde que el nivel del suelo puede elevarse algunos centímetros en invierno. La puerta deberá ser estable y estar tan exenta de contrateniones como sea posible para evitar un vaivén no deseado. Cuanto más suave se desplace la hoja de la puerta, más preciso tiene que ser el ajuste de fuerzas.

Haga una lista de los materiales que todavía necesite y obténgalos antes de empezar con la instalación: clavijas para grandes amperajes, pernos, topes de puertas, cables, cajas de distribución, herramientas, etc.

3 Tipos de puertas

El tipo de puerta determina la ubicación del mecanismo de apertura. Si el tope de la puerta está en el suelo, el mecanismo de apertura también se tendrá que instalar a una altura que sea lo más inferior posible, de tal forma que no pueda torcer la puerta. Use sólo piezas del marco de la puerta para los herrajes.

TIPO A, B, C

Para las puertas de acero, el herraje deberá ser montado en el marco principal. Si no está seguro de si el soporte existente es lo suficientemente estable, refuércelo.

TIPO D, E, F

Con las puertas de madera, el herraje se deberá ajustar con pernos. Se recomienda fijar una placa desde el exterior, de tal forma que los soportes de herraje no se puedan soltar con el paso del tiempo. Las puertas de madera delgadas deberán reforzarse para resistir las cargas existentes (p. ej. tipo F).

4 Configuración de puerta

¿Cuánto se tiene que abrir la hoja de la puerta?

90 grados o hasta 115 grados. Un ángulo de apertura superior a 115 grados es practicable hasta un cierto punto pero no se recomienda. La razón es que el mecanismo de apertura siempre funciona a la misma velocidad. Cuanto más se tenga que abrir la puerta, más rápida deberá desplazarse la hoja de la puerta. El movimiento se vuelve más irregular y esto somete a los herrajes y a la puerta a cargas extremas.

Es válido para automatismos sin interruptor final de carrera: los ángulos de apertura desiguales provocan que un mecanismo de apertura alcance primero su destino, pero siga en marcha, por lo que fuerza la puerta contra el tope de la misma hasta que el motor alcance su posición final (véanse figuras 4A-F).

Consejo para profesionales: el tiempo que lleva alcanzar el tope limitado se puede controlar seleccionando deliberadamente diferentes dimensiones A y B (izquierda + derecha). No obstante, este método de instalación somete los herrajes a cargas elevadas y puede provocar que la puerta se desplace de modo irregular. Recomendamos que sólo montadores de puertas con experiencia elijan este método.

NOTA: Si la puerta se abre hacia un muro o una pared, existe riesgo de quedarse aprisionado. Si la distancia restante después de abrir la puerta es inferior a 200 mm, se deberá asegurar esa zona más tarde adicionalmente mediante un sensor infrarrojo o una regleta de contacto.

5 Topes de puerta

Una puerta basculante requiere un tope de puerta anclado en ambas direcciones de apertura y cierre. Los topes de puertas protegen al mecanismo de apertura, a la puerta y a los herrajes contra el desgaste. Operar la puerta sin topes límite fijos no resulta satisfactorio; a menudo ¡resulta peligroso, provoca un desgaste prematuro y anula la garantía del producto!

6 Soporte del poste

La elección de la ubicación correcta del soporte del poste tiene una repercusión decisiva en el funcionamiento posterior del sistema. Determina la distancia entre el centro de desplazamiento del motor y el de la puerta, y por lo tanto el ángulo de apertura. Se hará referencia a estas dimensiones como **dimensión A** y **dimensión B**. No subestime la acción que estas dimensiones ejercen sobre el correcto funcionamiento y la marcha. Pruebe y deduzca la mejor dimensión para el ángulo de apertura con tanta precisión como sea posible y que sea apta para todas las circunstancias. Véase la tabla (figura 5A) para las dimensiones A/B. Si el poste no es lo suficientemente ancho, se le deberá ajustar una pieza de extensión (figura 6B). Si el poste es demasiado grueso, recórtelo para que sea más delgado (figura 6D) o equilibre la puerta (figura 6C).

Para lograr las dimensiones ideales, puede resultar necesario acortar o alargar la placa de bisagras suministrada. En el caso de que las puertas se fabriquen a medida respondiendo a las necesidades del cliente, si las bisagras de la puerta se han ajustado a los postes adecuadamente, se puede influir sobre las dimensiones A y B. Antes de que se determinen las dimensiones de montaje finales, deberá comprobar siempre si existe la posibilidad o no de que el borde del mecanismo de apertura choque con el poste cuando la puerta bascule.

INSTALACIÓN: El mecanismo de apertura ejerce una fuerza considerable contra el poste. Normalmente, las dimensiones de montaje aceptable se consiguen si la placa de bisagras suministrada se suelda directamente en el poste. En caso de que las paredes sean de piedra gruesa o haya postes de hormigón, la bisagra se deberá soldar a la placa base y se acopla de tal forma que las clavijas no puedan soltarse durante la operación. Las clavijas para grandes amperajes, donde se ha enlazado una barra roscada en la mampostería sin tensión, son más aptas para esta finalidad que las clavijas cubiertas de plástico o de acero. Cuando se trate de pilares de albañilería, se montan en una placa de acero relativamente amplia que cubra diversos ladrillos y se suelda entonces la placa de bisagras encima. Una escuadra de apoyo acoplada por encima del borde del poste también es un buen medio para fijar los ejecutores.

7 Herraje de la puerta

El herraje de la puerta se tiene que instalar de tal manera que se halle horizontal en relación al soporte del poste. La distancia entre el soporte de la puerta y la del poste se define como „espacio de brazo“. Cuando la puerta está cerrada, el mecanismo de apertura se ha extendido un 99%. Cuando la puerta está abierta, el mecanismo de apertura se ha extendido un 1%. La retracción o extensión por completo del émbolo/husillo en marcha (con la puerta) perjudica al mecanismo de apertura y anula la garantía. Ante todo, es absolutamente indispensable ajustarse al espacio de brazo bajo todas las circunstancias. Dimensiones véase figura 6A. En caso de puertas de acero, las fijaciones se deberán soldar o atomillar atravesando todo el grosor. Al atomillar por todo el grosor, se deberán utilizar arandelas grandes o una placa en el lateral posterior. En caso de puertas de madera, se deberá atomillar la fijación atravesando todo el grosor. Resulta muy recomendable el uso de una placa desde el lado exterior a fin de que la fijación no se pueda aflojar. Las puertas de madera delgadas sin marco de metal se deberán reforzar adicionalmente ya que no soportarán ser sometidas a una carga permanente (p. ej. tipo F).

8 Desbloqueo

El mecanismo de apertura se puede desbloquear. En este caso, la puerta se puede abrir y operar manualmente (fallo en la red). En un mecanismo de apertura nuevo, la acción de liberación puede a veces dar la sensación de estar dura o que se mueve a sacudidas, pero esto se considera normal y no afecta al funcionamiento.

Liberación: inserte la llave en la cerradura de cilindro y gírela 180 grados. Entonces gire la palanca de liberación otros 180 grados, y ¡listo!

Accionar: gire la palanca en el sentido de las agujas del reloj. En cuanto la puerta se desplace o el mecanismo de apertura se ponga en marcha, el engranaje se volverá a enclavar. Emplee el bloqueo para proteger la palanca de una liberación no autorizada.

9 Instalar los brazos

Libere el mecanismo de apertura. Empuje el mecanismo de apertura liberado en los herrajes y asegúrelo utilizando los pernos y anillas suministrados (figura 7). Si en el herraje de pilar se emplea el agujero de fijación medio o el interior, dicho herraje debe ser recortado antes de la primer puesta en marcha para que en el automatismo disponga de suficiente espacio libre. En caso de incumplirse esta condición, se puede provocar la rotura del herraje en el automatismo. Si el automatismo se desliza en el herraje, no se puede emplear un martillo ni un utensilio similar.

10 Cableado

El cable conector es de 6 polos, de aprox. 3 m de longitud y se guía en un arco al control o a una caja de distribución conectada a tierra superficial con estancamiento al agua. Desde la caja de distribución se llevará a cabo un cableado fijo mediante un cable admisible.

Conexión: véase instrucciones para el control.

Colores de cable:

marrón/verde/blanco/amarillo = sensores

azul/rojo: motor de 24 voltios.

RECOMENDACIONES ACCESORIOS: Cable prolongador LA400-JB40

Incluye:

(1) 12m de cable con bornes

(1) caja de distribución IP65

(2) descargas de tracción PG 13,5

(1) material de montaje

11 Primera puesta en marcha

Estando el dispositivo desbloqueado, compruebe manualmente el funcionamiento en la puerta. La puesta en marcha eléctrica sólo resulta factible con un control adecuado que se puede adquirir como accesorio. Asegúrese siempre de que se cumplan las correspondientes normas de seguridad tanto a nivel mecánico como eléctrico.

Si la fuerza de la hoja en movimiento en el borde de cierre es superior a 400N se deberán utilizar dispositivos de seguridad adicionales (sensor infrarrojo o una regleta de contacto). Los dispositivos de seguridad deberán cumplir las exigencias según la norma EN60335-2-103.

12 Tareas de mantenimiento

El sistema mecánico del automatismo está exento de mantenimiento. Compruebe en espacios de tiempo regulares (mensualmente) si los herrajes de la puerta y del accionamiento están firmemente asentados. Desbloquee el automatismo y compruebe el funcionamiento de la puerta. Sólo si la puerta se desplaza fácilmente, también funcionará perfectamente con un automatismo. Un automatismo no puede reemplazar a una puerta que cierre mal.

NOTA: véase también las instrucciones del control.

13 Eliminación



Nuestros dispositivos eléctricos y electrónicos no deben desecharse junto a la basura doméstica y deben desecharse adecuadamente después de su uso de acuerdo con la Directiva WEEE 2012/19/UE, sobre residuos de equipos eléctricos con el fin de garantizar que los materiales se puedan reciclar. La recogida selectiva de aparatos eléctricos viejos conduce a una eliminación respetuosa con el medio ambiente y es completamente gratuita para el consumidor.

Nº. de reg. WEEE en Alemania: DE66256568.

Los envases generados como residuos en los usuarios finales privados deben recogerse por separado de los residuos mezclados de acuerdo con la directiva. Los envases no deben desecharse en la basura residual, la bolsa de basura orgánica ni en la naturaleza. Dependiendo del material, los envases deben eliminarse por separado y en contenedores de reciclaje designados para ello y en algunos municipios en contenedores de reciclaje específicos.

14 Datos técnicos

Voltaje del motor	24 Volt
Consumo corriente	2 A
Consumo potencia	48 W
Ancho máx. de puerta	4,0 m
Peso máx. de puerta	250 kg
Clase de protección	I - IP44
Fuerza (nominal)	250 N
Velocidad de desplazamiento	variabel
Tiempo de apertura 90°	14 Sek.
Rango temperatura	-20°C hasta + 55°C

Índice analítico

NOTA: As instruções originais de instalação e funcionamento foram redigidas em alemão. Qualquer outro idioma disponível é uma tradução da versão original em alemão.

1	Diretrizes gerais de segurança.....	1
2	Âmbito do fornecimento.....	2
3	Tipos de portão.....	2
4	Situação do portão.....	2
5	Encostos.....	2
6	Ferragem do pilar.....	2
7	Ferragem para portão.....	2
8	Desbloqueio.....	2
9	Montagem dos braços.....	2
10	Cablagem.....	3
11	Primeira colocação em funcionamento.....	3
12	Trabalhos de manutenção.....	3
13	Eliminação.....	3
14	Especificações.....	3

1 Diretrizes gerais de segurança



Estes símbolos de aviso significam „Cuidado!”, um pedido de atenção, uma vez que a sua inobservância poderá causar danos pessoais e materiais. Leia estes avisos atentamente. Este automatismo para portões foi construído e controlado de modo a oferecer condições de segurança adequadas, caso a instalação e utilização sejam realizadas em conformidade com as normas de segurança que se indicam.



O não cumprimento das normas de segurança que se seguem pode dar origem a danos pessoais e materiais graves.



Ao manusear ferramentas e peças pequenas, tenha sempre o devido cuidado e não use anéis, relógios ou peças de vestuário soltas quando realiza trabalhos de instalação ou de reparação num portão.



É importante manter o portão sempre em bom funcionamento. Os portões encravados ou perros devem ser imediatamente reparados. Não tente reparar o portão você mesmo. Solicite a ajuda de um técnico.



As linhas eléctricas devem ser colocadas em conformidade com as normas de construção e de instalação eléctrica locais. O cabo eléctrico só pode ser conectado a uma rede devidamente ligada à terra por um electrotécnico autorizado.



Remova acessórios adicionais da proximidade de crianças. Não deixe as crianças operar botões e controlos remotos. O portão poderá provocar ferimentos graves ao fechar.



Aquando da montagem, há que ter em conta o movimento de fecho entre a parte accionada e as partes adjacentes do edifício (p. ex. uma parede) que se deve à abertura da parte accionada.



Os aparelhos de comando automático têm que ser separados da rede sempre que forem executados trabalhos de manutenção, como por exemplo a limpeza. A instalação de disposição fixa deverá integrar um dispositivo de corte para garantir um desligamento para todos os pólos mediante um interruptor (curso de abertura do contacto de pelo menos 3mm) ou um fusível separado.



Remova todas as fechaduras fixadas no portão para evitar danos no mesmo.



Assegure-se de que as pessoas que montam o accionamento e efectuem a sua manutenção e operação cumprem estas instruções. Conserve as instruções num local onde estejam sempre acessíveis para consulta.



Após a instalação deverá verificar se o mecanismo está regulado correctamente e se o accionamento, o sistema de segurança e o desbloqueio de emergência funcionam em condições.



A protecção contra esmagamento e roçamento tem que estar totalmente assegurada após a montagem do accionamento com o portão.



Se o portão dispôr de uma porta de passagem, o accionamento não pode arrancar ou continuar a funcionar caso o portão não esteja devidamente fechado.

2 Âmbito do fornecimento

- (1) Accionamento LA400EV (1x)
- (2) Ferragens do pilar (1x)
- (3) Chave por cada automatismo (2x)
- (4) Ferragens para o portão (1x)
- (5) Pernos (2x) e anéis (4x)
- (6) Manual de montagem (1x)

ANTES DE COMEÇAR

O accionamento precisa de espaço lateral para os braços e a montagem. Certifique-se de que este se encontra disponível. Os portões sujeitos a uma grande carga devido à pressão do vento devem ser protegidos adicionalmente com um cadeado (eléctrico)!

Existem muitos factores que são determinantes para a escolha do accionamento certo. O mais difícil num portão operacional é o „arranque. Uma vez em movimento, o portão passa a necessitar de bem menos força.

- **Tamanho do portão:** o tamanho do portão constitui um factor muito importante. O vento pode travar ou prender o portão e fazer com que seja necessária uma força substancialmente maior.
- **Peso do portão:** a indicação do peso do portão representa apenas um valor característico aproximado que pode divergir muitíssimo das necessidades efectivas. A função é importante.
- **Influência da temperatura:** as baixas temperaturas exteriores podem dificultar ou impossibilitar o arranque (modificações do solo, etc.).
- **Frequência de funcionamento/factor de duração de ciclo:** Os automatismos de 24 V podem funcionar em permanência.

LISTA DE VERIFICAÇÕES / INSTALAÇÃO – PREPARATIVOS

Verifique o conteúdo da sua embalagem e leia o manual com atenção. Certifique-se de que o portão funciona impecavelmente. O portão deve deslocar-se de modo regular e sem quaisquer impedimentos, não podendo ficar preso em nenhum ponto. Não se esqueça de que a altura do solo pode aumentar alguns centímetros durante o Inverno. A fim de evitar movimentos pendulares indesejáveis, o portão deverá ser sólido e, tanto quanto possível, isento de folga. Quanto melhor for a mobilidade do batente mais precisa poderá ser a regulação da força.

Aposte os materiais, de que ainda necessita, e providencie-os antes de iniciar a montagem. Parafusos de ancoragem de fixação por cola (buchas sólidas), parafusos, encostos, cabos, caixas de distribuição, ferramentas, etc.

3 Tipos de portão

O local de montagem do accionamento é determinado pelo tipo de portão. Se o encosto do portão se encontrar no solo, o accionamento também deverá ser montado o mais em baixo possível, para que não possa empenar o portão. Utilize apenas partes do aro para a fixação.

TIPO A, B, C

Nos portões de aço, a ferragem para portão deverá ser fixada ao aro principal. Reforce o suporte disponível caso não tenha a certeza de que é suficientemente robusto.

TIPO D, E, F

Nos portões de madeira, a ferragem para portão tem que ser aparafusada. Recomendamos que instale uma placa do lado exterior para que a fixação não se solte com o tempo. Os portões de madeira finos devem ser reforçados adicionalmente, caso contrário não resistem aos esforços a que estão sujeitos (p. ex. tipo F).

4 Situação do portão

Qual é o ângulo de abertura necessário do batente?

90 graus ou no máximo 115 graus. Um ângulo de abertura superior a 115 graus é possível sob determinadas condições mas não se recomenda! Justificação: o accionamento funciona sempre à mesma velocidade. Quanto maior for o ângulo de abertura do portão maior terá que ser a velocidade do batente. Os movimentos tornam-se mais irregulares, sujeitando as ferragens e o portão a um desgaste extremo.

Válido para automatismos sem interruptor de fim-de-curso: Em caso de divergência dos ângulos de abertura, o accionamento, que alcançar primeiro a sua meta, fica a „zumbir“ no encosto (motor em funcionamento) e a pressionar o portão até o outro motor atingir igualmente a sua posição final (**voir figura 4A-F**).

Dica profissional: é possível controlar o tempo, que os batentes precisam para alcançar o encosto final, utilizando as medidas A+B com uma diferença conveniente (esquerda + direita). Com este tipo de montagem, as ferragens são porém sujeitas a esforços elevados e o deslocamento do portão poderá tornar-se irregular. Este método só deve ser recomendado a construtores de portões experientes.

NOTA: Se o portão se abrir em direcção a um muro ou uma parede, existe o risco de alguém ficar entalado. Se a distância que restar, quando o portão se encontra aberto, for inferior a 200 mm, posteriormente esta área terá de ser protegida mediante a instalação de uma barreira fotoeléctrica ou uma régua de contactos.

5 Encostos

Um portão pivotante carece de encostos fixos para os movimentos de abertura e fecho. Os encostos ajudam a conservar o accionamento, o portão e as ferragens. A operação do portão sem encostos finais fixos prejudica o funcionamento e é frequentemente perigoso, causando um desgaste prematuro e fazendo cessar a garantia!

6 Ferragem do pilar

A localização acertada da ferragem do pilar é determinante para o funcionamento posterior da instalação. Ela define a distância entre o ponto de rotação do motor e o ponto de rotação do portão e, por conseguinte, o ângulo de abertura. Fala-se nas medidas A e B. Não subestime a influência que estas medidas exercem sobre o funcionamento e a mobilidade. Tente definir, impreterivelmente e com a maior exactidão possível, a melhor medida para o seu ângulo de abertura. Consulte a tabela (**figura 5A**) relativamente às medidas A/B.

Se o pilar não for suficientemente largo, deve colocar uma placa adaptadora (**figura 6B**). Se o pilar for demasiado espesso, terá que desbastá-lo (**figura 6D**), ou deslocar o portão (**figura 6C**).

Para obter medidas optimizadas, poderá ser necessário reduzir ou aumentar a placa de charneira fornecida. No caso de portões novos pode influenciar-se as medidas A e B se as charneiras do portão forem montadas de forma correspondente nos pilares. Antes de as medidas de montagem serem determinadas definitivamente, é necessário verificar sempre se o accionamento não pode encostar no canto do pilar ao abrir ou fechar.

MONTAGEM: as forças com as quais o accionamento se apoia contra o pilar são extremamente grandes. Na maior parte dos casos, já é possível obter medidas de montagem aceitáveis se a placa de charneira fornecida for soldada directamente ao pilar. No caso de postes de pedra ou de betão grossos, é necessário soldar a peça de charneira sobre uma placa de suporte e fixá-la de modo a que as buchas não se possam soltar durante o funcionamento. Mais adequadas do que buchas de expansão de aço ou material sintético são as âncoras compostas de colagem, nas quais um pino roscado é colado na parede sem tensão.

No caso de pilares revestidos de alvenaria deverá ser aparafusada uma placa de aço maior que cubra várias pedras sobre a qual pode depois ser soldada a placa de charneira. Uma placa angular fixada em torno do bordo do pilar é também um óptimo meio de fixação.

7 Ferragem para portão

A ferragem para portão deve ser montada horizontalmente à ferragem do pilar. A distância entre as ferragens é designada por medida de fixação. Com o portão fechado, o accionamento encontra-se avançado 99%. Com o portão aberto, o accionamento está avançado 1%. Se o êmbolo AVANÇAR ou RECOLHER totalmente durante o funcionamento (com o portão), o accionamento é danificado e a garantia cessa! A medida de fixação tem que ser respeitada impreterivelmente! Medidas, ver **figura 6A**. Nos portões de aço, os dispositivos de fixação deverão ser soldados ou aparafusados. Em caso de aparafusamento, devem ser usadas anilhas grandes ou uma placa na parte posterior. Nos portões de madeira, o dispositivo de fixação tem que ser aparafusado. Será extremamente conveniente colocar uma placa do lado exterior para que a fixação não se possa soltar. Os portões de madeira finos sem aro metálico têm que ser reforçados adicionalmente porque não resistem a esforços contínuos (p. ex. o tipo F).

8 Desbloqueio

O mecanismo de accionamento pode ser desbloqueado. Seguidamente, o portão pode ser aberto e accionado à mão (em caso de falha de corrente). Nos accionamentos novos, o desbloqueio implica, por vezes, falta de mobilidade/deslocação irregular. Isto é normal e não tem qualquer efeito sobre o funcionamento!

Desbloquear: introduza e rode a chave cilíndrica 180 graus. Gire em seguida também a alavanca de desarme 180 graus. Pronto.

Bloquear: rode a alavanca para trás. Logo que o portão se mova ou o accionamento comece a funcionar, a engrenagem volta a ficar bloqueada. A alavanca pode agora ser presa com um cadeado para que não possa ser desbloqueado sem autorização.

9 Montagem dos braços

Desbloqueie o accionamento. Desloque o accionamento desbloqueado sobre as ferragens e fixe-o com os pernos e anéis fornecidos (**figura 7**). Se orifício de fixação médio ou interior da ferragem do pilar for utilizado, é necessário encurtar a ferragem do pilar antes da primeira colocação em funcionamento, para garantir espaço suficiente para o automatismo. A inobservância desta indicação leva à ruptura da ferragem no automatismo! Não utilize um martelo nem um objecto semelhante quando quiser colocar o automatismo na ferragem.

10 Cablagem

O cabo de ligação tem 6 pólos e um comprimento de cerca de 3 m, sendo conduzido, em arco, ao comando ou a uma caixa de distribuição à prova de água e localizada acima do nível do solo. A ligação a partir da caixa de distribuição é estabelecida através de um cabo autorizado que é colocado de forma fixa.

Ligação: ver o manual do sistema de comando.

Cores dos cabos:

castanho/verde/branco/amarelo=sensores

azul/vermelho: Motor de 24 V.

DICA PARA ACESSÓRIO: Cabo de extensão LA400-JB40

Contém:

(1) Cabo de 12 m com bornes

(1) Caixa de distribuição IP65

(2) Cerra-cabos PG 13,5

(1) Material de montagem

11 Primeira colocação em funcionamento

Verifique à mão o funcionamento do portão com este destrancado. A colocação em funcionamento da parte eléctrica só é possível com um comando adequado, o qual pode ser adquirido à parte como acessório. Certifique-se sempre de que as normas de segurança aplicáveis às partes mecânica e eléctrica da instalação são estritamente cumpridas.

Se a força exercida pela folha do portão em movimento contra o bordo do fecho for superior a 400 N, é necessário empregar dispositivos de segurança adicionais (barreira fotoeléctrica, régua de contactos). Os dispositivos de segurança terão de cumprir os requisitos da norma EN60335-2-103.

12 Trabalhos de manutenção

A parte mecânica do automatismo dispensa qualquer manutenção. Verifique regularmente (todos os meses) se as ferragens do portão e do automatismo estão firmemente montadas. Desbloqueie o automatismo e teste o funcionamento do portão. Somenente um portão que se movimenta sem quaisquer dificuldades é que estará apto a funcionar com um automatismo. Um automatismo não remedeia, portanto, um portão que funcione mal.

NOTA: consulte também o manual do comando.

13 Eliminação



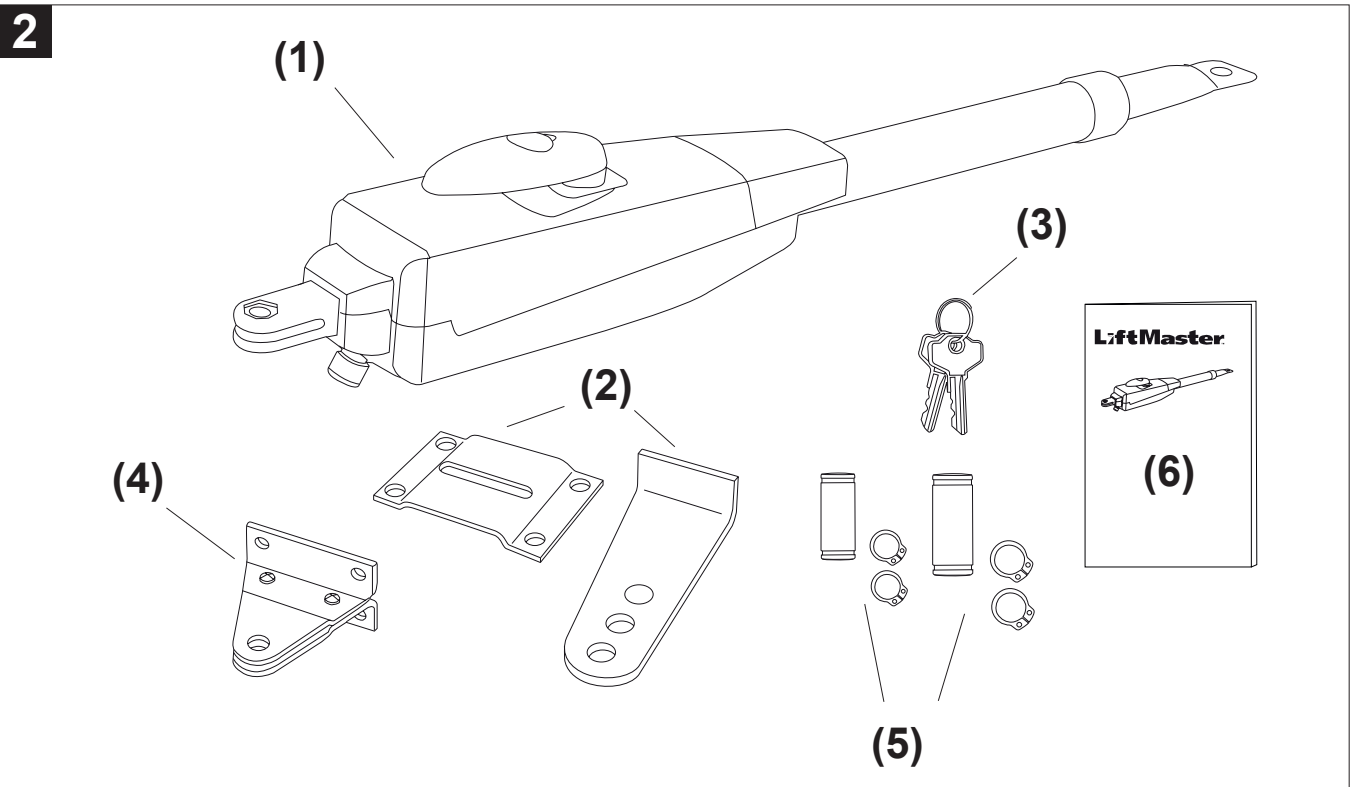
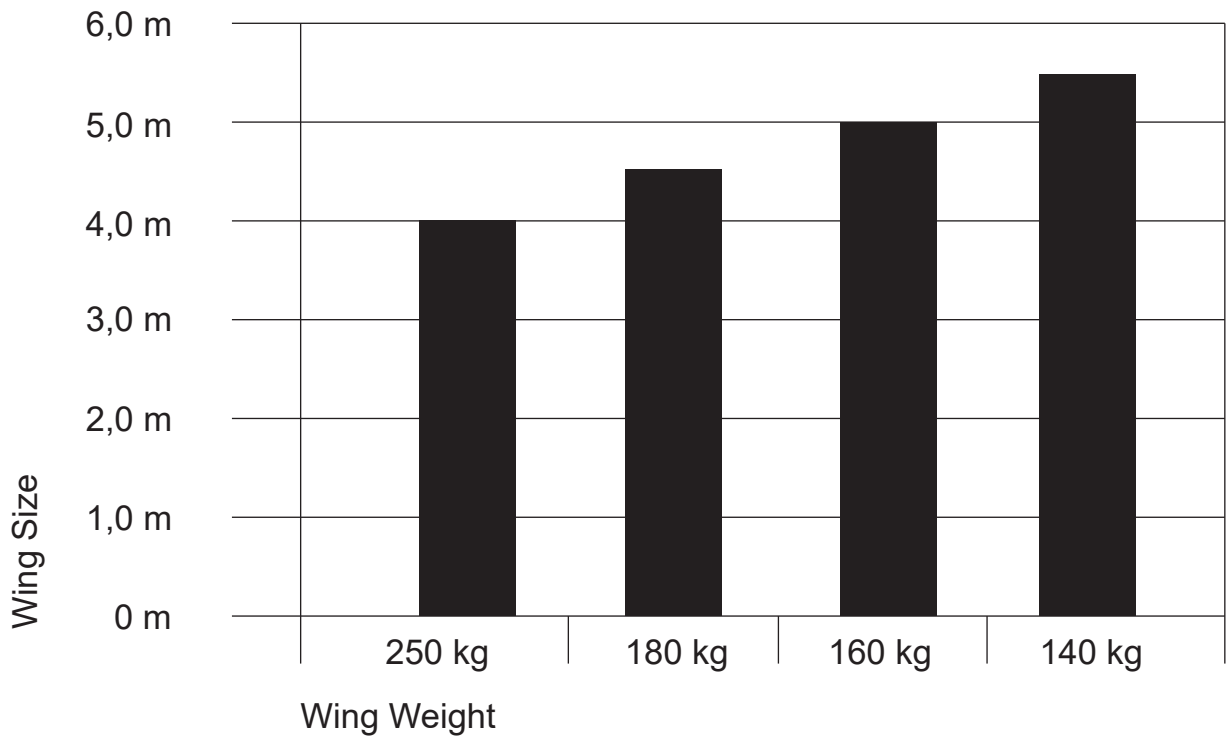
Nossos dispositivos eléctricos e eletrónicos não devem ser descartados com o lixo doméstico e devem ser descartados adequadamente após o uso de acordo com a Directiva WEEE 2012/19 sobre resíduos de equipamentos eléctricos, a fim de garantir que os materiais podem ser reciclados. A coleta seletiva de aparelhos eléctricos antigos leva ao descarte ecologicamente correto e é totalmente gratuita para o consumidor.

Nº de registro WEE E na Alemanha: DE66256568.

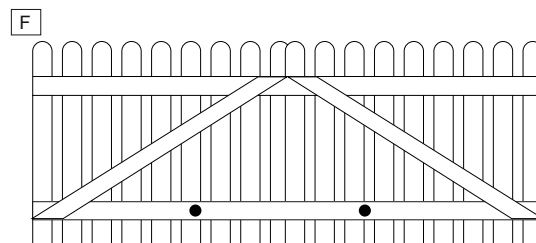
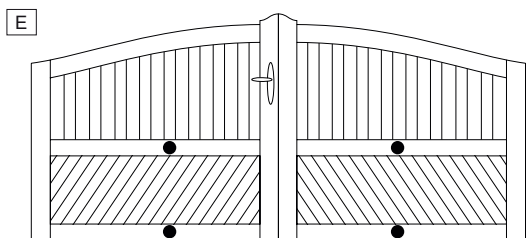
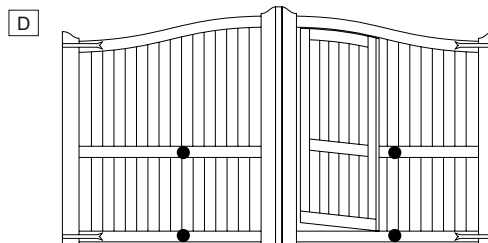
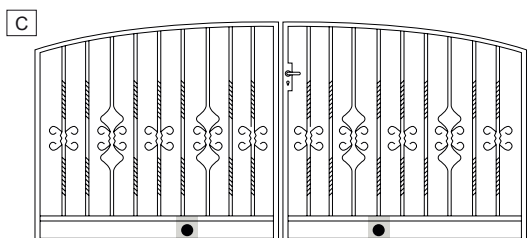
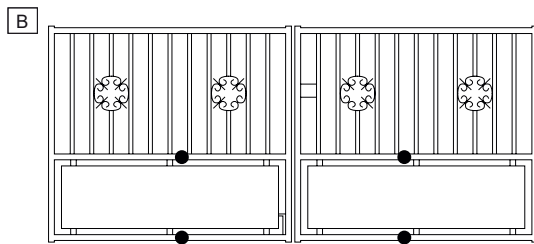
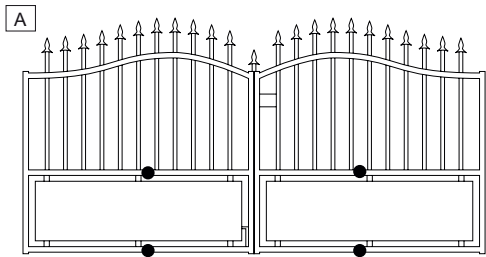
As embalagens que surgem como resíduos para utilizadores finais privados devem ser recolhidas separadamente dos resíduos misturados, de acordo com a directiva. As embalagens não devem ser eliminadas no lixo residual, no caixote do lixo orgânico ou mesmo na natureza. Dependendo do material, os materiais de embalagem devem ser descartados separadamente e em lixeiras próprias para reciclagem, bem como em lixeiras em alguns municípios.

14 Especificações

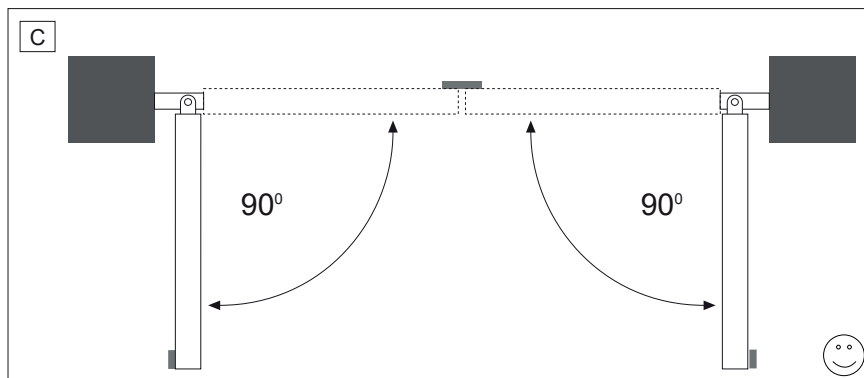
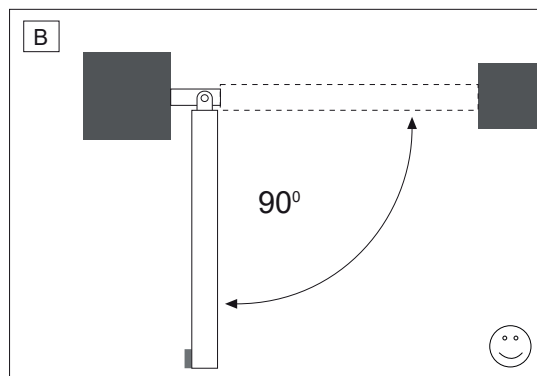
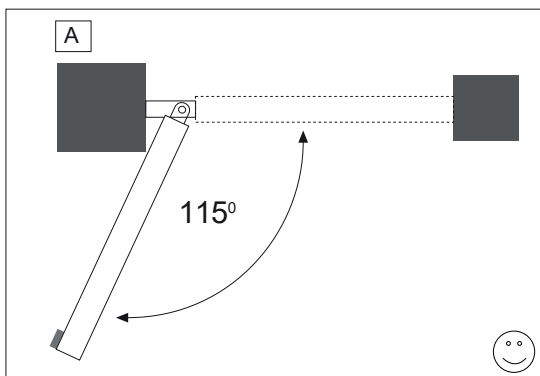
Tensão do motor	24 Volt
Consumo de corrente	2 A
Potência absorvida	48 W
Largura máx. do portão	4,0 m
Peso máx. do portão	250 kg
Classe de protecção	I - IP44
Força (nominal)	250 N
Velocidade de operação	variavel
Tempo de abertura 90°	14 Sek.
Gama de temperaturas	-20°C a + 55°C

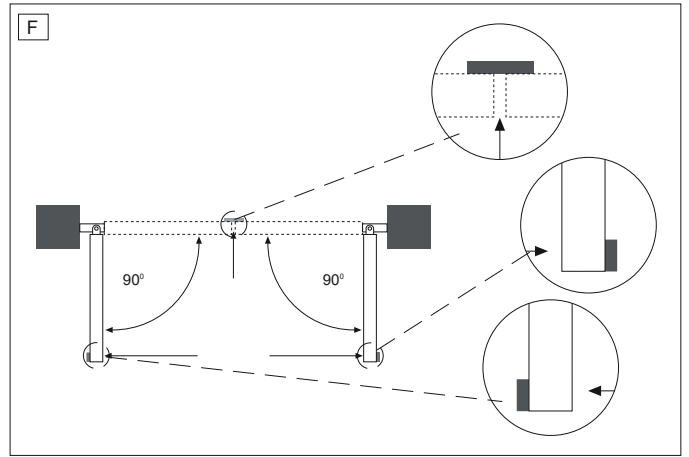
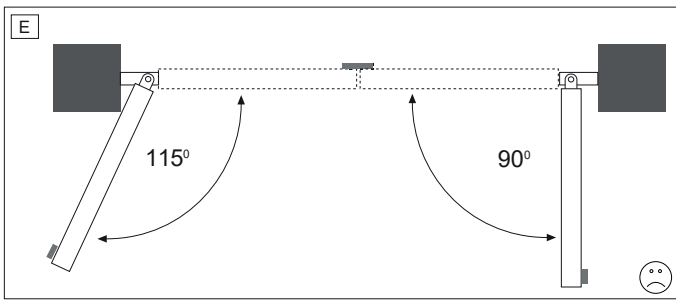
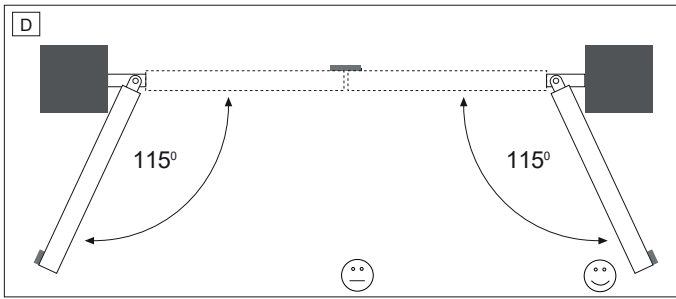


3



4



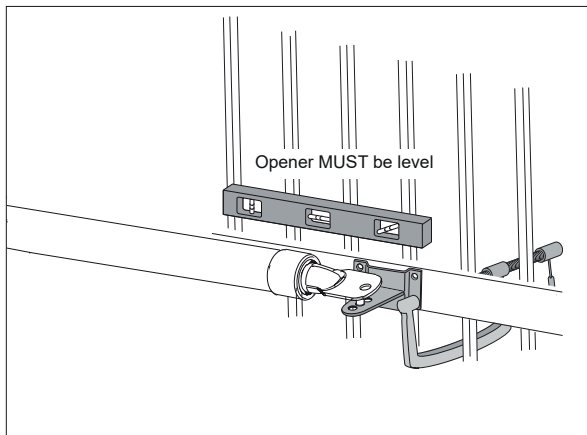
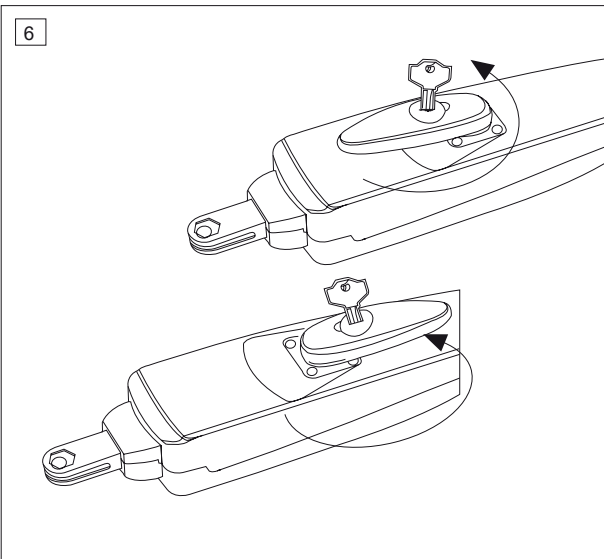
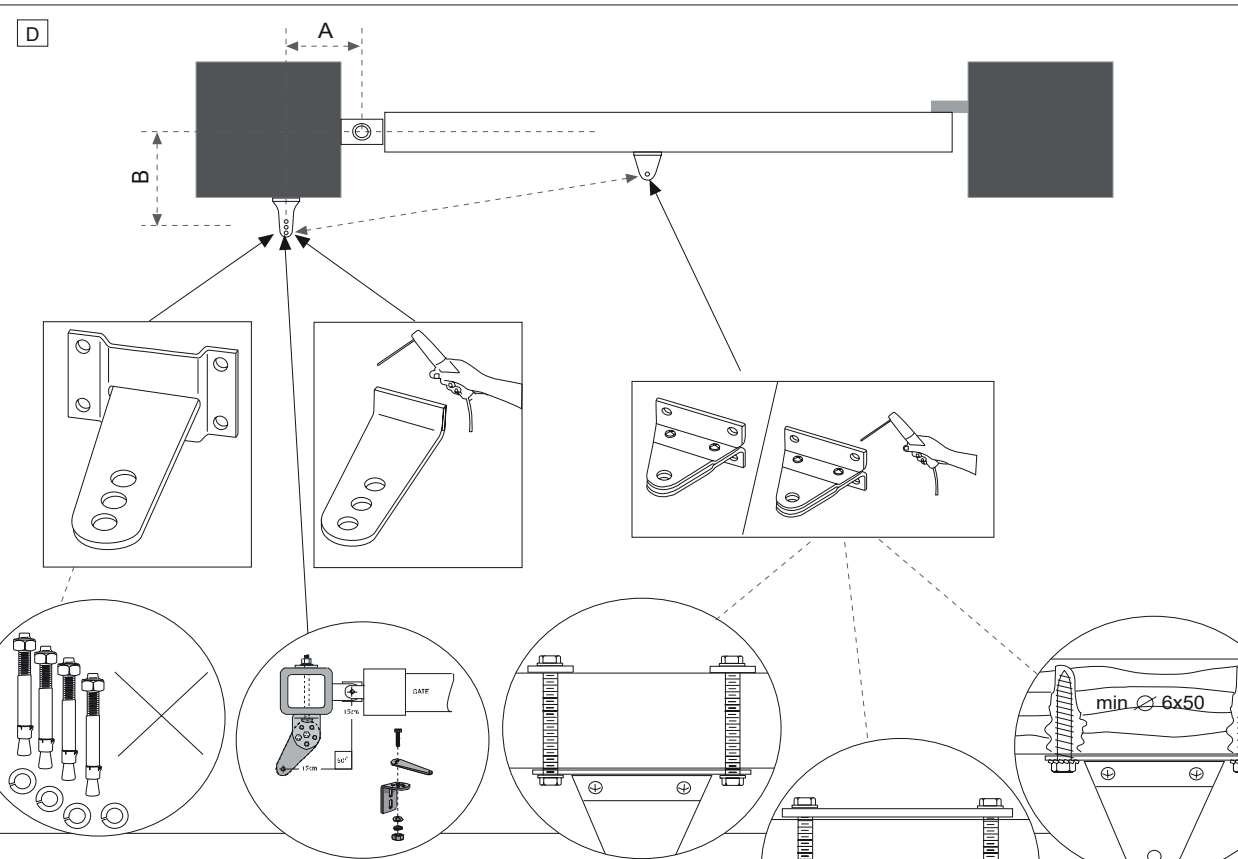
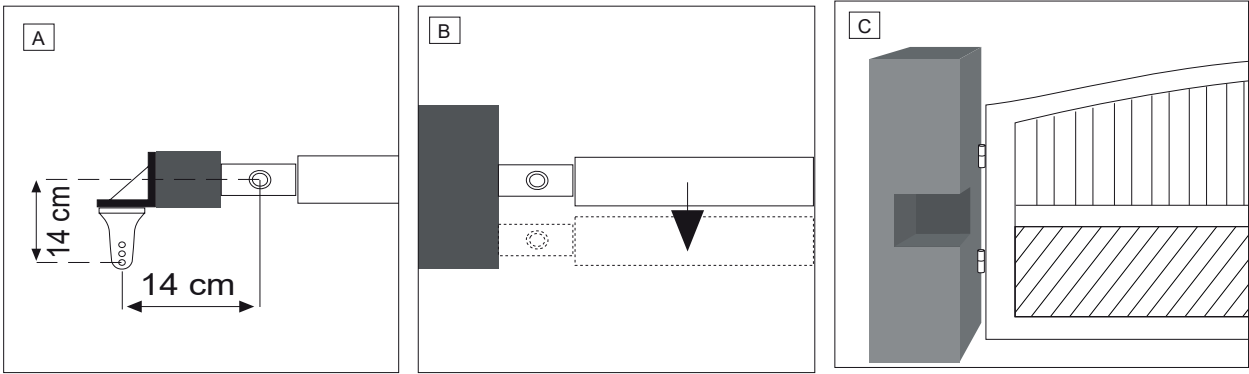


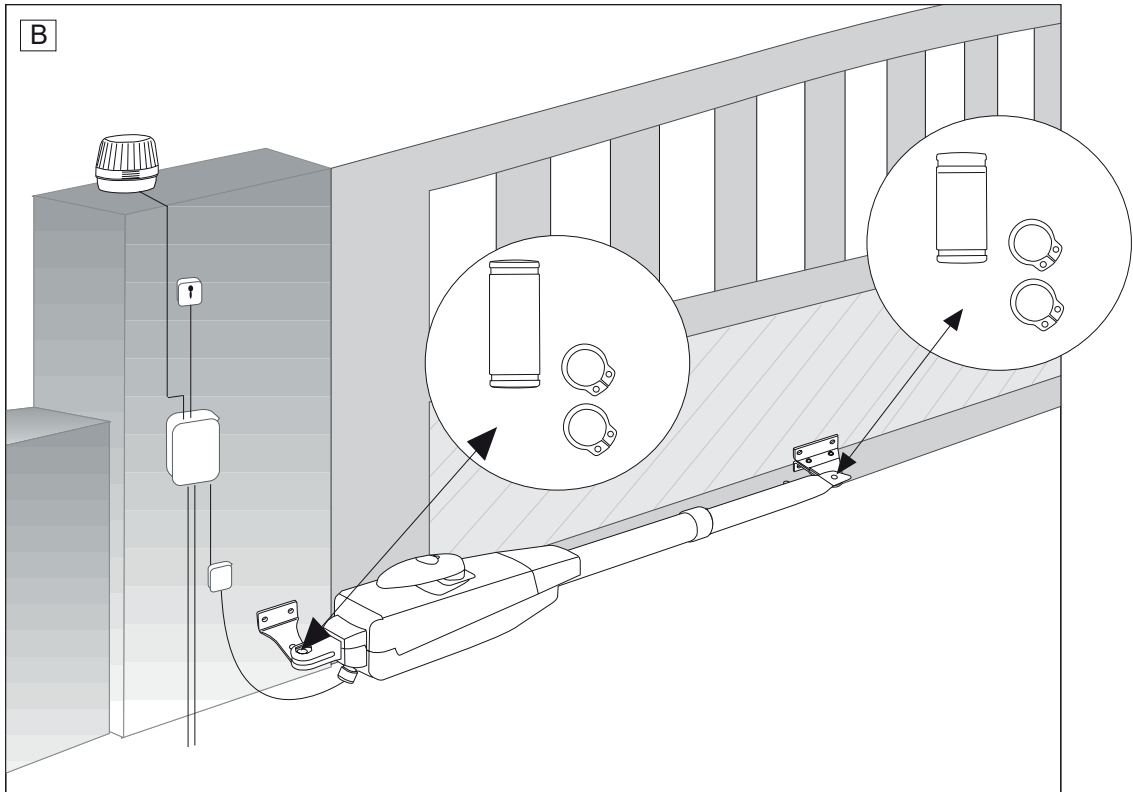
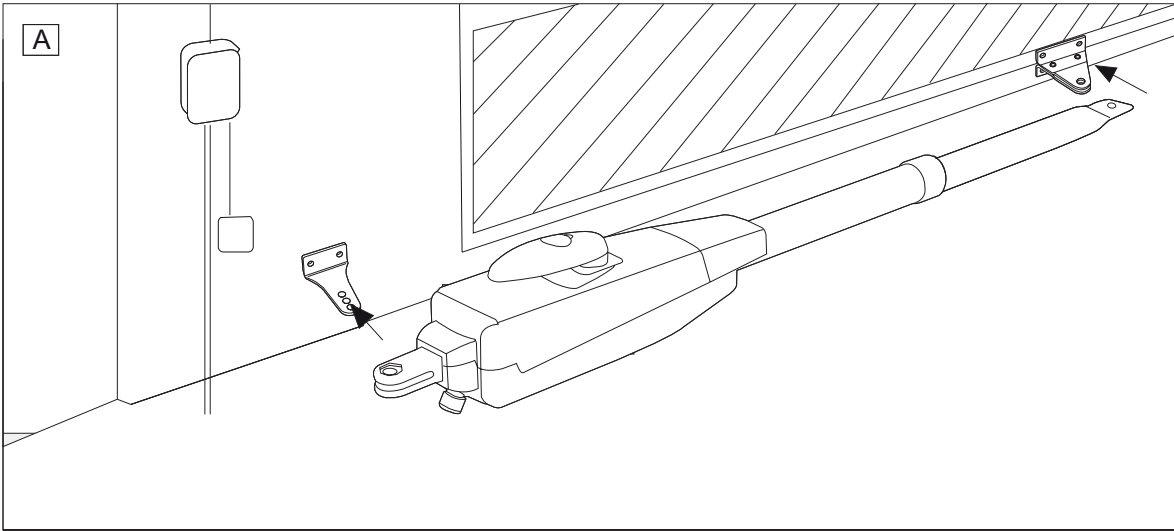
5

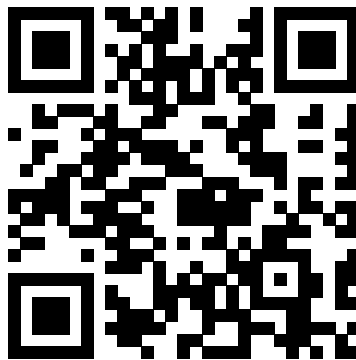
A

		A							
		14	16	18	20	22	24	26	
B	14	105°	120°	125°	111°	105°	99°	95°	
	16	103°	118°	113°	102°	98°	94°	90°	
	18	111°	115°	105°	97°	93°	90°		
	20	109°	103°	96°	90°	100°			
	22	106°	95°	90°		87°			
	24	93°							
26									

A=19cm
B=19cm ≈aprox 90°







Chamberlain GmbH
Saar-Lor-Lux-Str. 19
66115 Saarbrücken
Germany
WEEE-Reg.Nr. DE66256568
www.liftmaster.eu
info@liftmaster.eu

